



SWIFT

SWIFT Qualified Certificates

Certification Practice Statement

This document applies to SWIFT Qualified Certificates issued by SWIFT. This document is effective from 6 December 2013.

22 November 2013

Table of Contents

Table of Contents	2
Preface.....	8
1 INTRODUCTION	9
1.1 Overview	9
1.2 Document Name and Identification	9
1.3 PKI Participants.....	10
1.3.1 Certification Authorities.....	10
1.3.2 Registration Authorities	10
1.3.3 Subscribers.....	10
1.3.4 Relying Parties	10
1.3.5 Other Participants.....	10
1.4 Certificate Usage.....	11
1.4.1 Appropriate Certificate Uses.....	11
1.4.2 Prohibited Certificate Uses	11
1.5 Policy Administration.....	11
1.5.1 Organisation Administering the Document	11
1.5.2 Contact Person.....	12
1.5.3 Approval Procedures	12
1.6 Definitions and Acronyms	13
1.6.1 Acronyms.....	13
1.6.2 Definitions.....	14
1.7 SWIFTNet PKI Overview.....	16
1.8 SWIFT Qualified Certificate Lifecycle Overview	17
2 PUBLICATION AND REPOSITORY RESPONSIBILITIES	20
2.1 Repositories	20
2.2 Publication of Certification Information	20
2.3 Time or Frequency of Publication	21
2.4 Access Controls on Repositories	21
3 IDENTIFICATION AND AUTHENTICATION.....	22
3.1 Naming.....	22
3.1.1 Types of Names	22
3.1.2 Need for Names to be Meaningful.....	22
3.1.3 Anonymity or Pseudonymity of Subscribers	22
3.1.4 Rules for Interpreting Various Name Forms	22
3.1.5 Uniqueness of Names	22
3.1.6 Recognition, Authentication, and Role of Trademarks	22
3.2 Initial Identity Validation	23
3.2.1 Method to Prove Possession of Private Key	23
3.2.2 Authentication of Organisation Identity.....	23
3.2.3 Authentication of Individual Identity.....	23
3.2.4 Non-verified Subscriber Information	23
3.2.5 Validation of Authority.....	23
3.2.6 Criteria for Interoperation.....	23
3.3 Identification and Authentication for Re-key Requests	24
3.3.1 Identification and Authentication for Routine Re-key.....	24
3.3.2 Identification and Authentication for Re-key after Revocation.....	24

3.4	Identification and Authentication for Revocation Requests	24
4	CERTIFICATE LIFECYCLE OPERATIONAL REQUIREMENTS.....	25
4.1	Certificate Application	25
4.1.1	Who Can Submit a Certificate Application?.....	25
4.1.2	Enrolment Process and Responsibilities	25
4.2	Certificate Application Processing	25
4.2.1	Performing Identification and Authentication Functions	25
4.2.2	Approval or Rejection of Certificate Applications.....	25
4.2.3	Time to Process Certificate Applications	26
4.3	Certificate Issuance.....	26
4.3.1	CA Actions during Certificate Issuance	26
4.3.2	Notification to Subscriber by the CA of Issuance of Certificate	26
4.4	Certificate Acceptance	26
4.4.1	Conduct Constituting Certificate Acceptance	26
4.4.2	Publication of the Certificate by the CA	26
4.4.3	Notification of Certificate Issuance by the CA to Other Entities.....	26
4.5	Key Pair and Certificate Usage	27
4.5.1	Subscriber Private Key and Certificate Usage	27
4.5.2	Relying Party Public Key and Certificate Usage.....	27
4.6	Certificate Renewal	27
4.6.1	Circumstance for Certificate Renewal	27
4.6.2	Who May Request Renewal	27
4.6.3	Processing Certificate Renewal Requests	27
4.6.4	Notification of New Certificate Issuance to Subscriber	27
4.6.5	Conduct Constituting Acceptance of a Renewal Certificate	27
4.6.6	Publication of the Renewal Certificate by the CA	27
4.6.7	Notification of Certificate Issuance by the CA to Other Entities.....	28
4.7	Certificate Re-key.....	28
4.7.1	Circumstance for Certificate Re-key.....	28
4.7.2	Who May Request Certification of a New Public Key.....	28
4.7.3	Processing Certificate Re-keying Requests	28
4.7.4	Notification of New Certificate Issuance to Subscriber	28
4.7.5	Conduct Constituting Acceptance of a Re-keyed Certificate	28
4.7.6	Publication of the Re-keyed Certificate by the CA.....	28
4.7.7	Notification of Certificate Issuance by the CA to Other Entities.....	28
4.8	Certificate Modification.....	29
4.8.1	Circumstance for Certificate Modification	29
4.8.2	Who May Request Certificate Modification.....	29
4.8.3	Processing Certificate Modification Requests	29
4.8.4	Notification of New Certificate Issuance to Subscriber	29
4.8.5	Conduct Constituting Acceptance of Modified Certificate.....	29
4.8.6	Publication of the Modified Certificate by the CA	29
4.8.7	Notification of Certificate Issuance by the CA to Other Entities.....	29
4.9	Certificate Revocation and Suspension	29
4.9.1	Circumstances for Revocation.....	29
4.9.2	Who Can Request Revocation	30
4.9.3	Procedure for Revocation Request	30
4.9.4	Revocation Request Grace Period.....	30
4.9.5	Time Within Which CA Must Process the Revocation Request	30
4.9.6	Revocation Checking Requirement for Relying Parties.....	30
4.9.7	CRL Issuance Frequency	30
4.9.8	Maximum Latency for CRLs	30

4.9.9	Online Revocation/Status Checking Availability	30
4.9.10	Online Revocation Checking Requirements	31
4.9.11	Other Forms of Revocation Advertisements Available	31
4.9.12	Special Requirements Regarding Key Compromise	31
4.9.13	Certificate Suspension.....	31
4.9.14	Who can Request Suspension	31
4.9.15	Procedure for Suspension Request.....	31
4.9.16	Limits on Suspension Period	31
4.10	Certificate Status Services	31
4.10.1	Operational Characteristics	31
4.10.2	Service Availability.....	31
4.10.3	Optional Features	32
4.11	End of Subscription	32
4.12	Key Escrow and Recovery	32
4.12.1	Key Escrow and Recovery Policy and Practices	32
4.12.2	Session Key Encapsulation and Recovery Policy and Practices	32
5	FACILITY, MANAGEMENT, AND OPERATIONAL CONTROLS	33
5.1	Physical Security Controls	33
5.1.1	Site Location and Construction.....	33
5.1.2	Physical Access.....	34
5.1.3	Power and Air Conditioning	34
5.1.4	Water Exposures	34
5.1.5	Fire Prevention and Protection	34
5.1.6	Media Storage	34
5.1.7	Waste Disposal.....	35
5.1.8	Offsite Backup	35
5.2	Procedural Controls	35
5.2.1	Trusted Roles	35
5.2.2	Number of Persons Required per Task	36
5.2.3	Identification and Authentication for Each Role.....	36
5.2.4	Roles Requiring Separation of Duties	36
5.3	Personnel Controls.....	37
5.3.1	Qualifications, Experience, and Clearance Requirements	37
5.3.2	Background Check Procedures.....	37
5.3.3	Training Requirements	37
5.3.4	Retraining Frequency and Requirements.....	37
5.3.5	Job Rotation Frequency and Sequence	37
5.3.6	Sanctions for Unauthorised Actions	38
5.3.7	Independent Contractor Requirements	38
5.3.8	Documentation Supplied to Personnel	38
5.4	Audit Logging Procedures.....	38
5.4.1	Types of Events Recorded	38
5.4.2	Frequency of Processing Log.....	38
5.4.3	Retention Period for Audit Log	39
5.4.4	Protection of Audit Log	39
5.4.5	Audit Log Backup Procedures	39
5.4.6	Audit Collection System (Internal versus External)	39
5.4.7	Notification to Event-causing Subject	39
5.4.8	Vulnerability Assessments.....	39
5.5	Records Archival	39
5.5.1	Types of Records Archived	39
5.5.2	Retention Period for Archive.....	39
5.5.3	Protection of Archive	40

5.5.4	Archive Backup Procedures	40
5.5.5	Requirements for Time-stamping of Records.....	40
5.5.6	Archive Collection System (Internal or External)	40
5.5.7	Procedures to Obtain and Verify Archive Information	40
5.6	Key Changeover	40
5.7	Compromise and Disaster Recovery	40
5.7.1	Incident and Compromise Handling Procedures	40
5.7.2	Computing Resources, Software, and/or Data are Corrupted.....	40
5.7.3	Entity Private Key Compromise Procedures	41
5.7.4	Business Continuity Capabilities after a Disaster	41
5.8	CA or RA Termination	41
6	TECHNICAL SECURITY CONTROLS	42
6.1	Key Pair Generation and Installation	42
6.1.1	Key Pair Generation	42
6.1.2	Private Key Delivery to Subscriber	42
6.1.3	Public Key Delivery to Certificate Issuer.....	42
6.1.4	CA Public Key Delivery to Relying Parties	42
6.1.5	Key Sizes.....	42
6.1.6	Public Key Parameter Generation and Quality Checking.....	42
6.1.7	Key Usage Purposes (as per X.509 v3 Key Usage Field).....	42
6.2	Private Key Protection and Cryptographic Module Engineering Controls	43
6.2.1	Cryptographic Module Standards and Controls.....	43
6.2.2	Private Key (n out of m) Multi-person Control	43
6.2.3	Private Key Escrow	43
6.2.4	Private Key Backup	43
6.2.5	Private Key Archival	43
6.2.6	Private Key Transfer into or from a Cryptographic Module	43
6.2.7	Private Key Storage on Cryptographic Module	44
6.2.8	Method of Activating Private Key.....	44
6.2.9	Method of Deactivating Private Key	44
6.2.10	Method of Destroying Private Key	44
6.2.11	Cryptographic Module Rating	44
6.3	Other Aspects of Key Pair Management.....	44
6.3.1	Public Key Archival.....	44
6.3.2	Certificate Operational Periods and Key Pair Usage Periods	44
6.4	Activation Data	44
6.4.1	Activation Data Generation and Installation	44
6.4.2	Activation Data Protection	44
6.4.3	Other Aspects of Activation Data.....	44
6.5	Computer Security Controls.....	45
6.5.1	Specific Computer Security Technical Requirements	45
6.5.2	Computer Security Rating	45
6.6	LifeCycle Technical Controls	45
6.6.1	System Development Controls	45
6.6.2	Security Management Controls	45
6.6.3	Lifecycle Security Controls	45
6.7	Network Security Controls.....	45
6.8	Time-stamping	45
7	CERTIFICATE, CRL, AND OCSP PROFILES	46
7.1	Certificate Profile	46
7.1.1	Version Number(s)	46
7.1.2	Certificate Extensions.....	46

7.1.3	Algorithm Object Identifiers	48
7.1.4	Name Forms.....	48
7.1.5	Name Constraints.....	48
7.1.6	Certificate Policy Object Identifier.....	48
7.1.7	Usage of Policy Constraints Extension.....	49
7.1.8	Policy Qualifiers Syntax and Semantics	49
7.1.9	Processing Semantics for the Critical Certificate Policies Extension	49
7.2	CRL Profile	50
7.2.1	Partitioned CRL	50
7.2.2	Combined CRL	51
7.3	OCSP Profile.....	53
7.3.1	Version Number(s)	53
7.3.2	OCSP Extensions.....	53
8	COMPLIANCE AUDIT AND OTHER ASSESSMENTS	54
8.1	Frequency or Circumstances of Assessment	54
8.2	Identity and Qualifications of Assessor	54
8.3	Assessor's Relationship to Assessed Entity	54
8.4	Topics Covered by Assessment	54
8.5	Actions Taken as a Result of Deficiency.....	55
8.6	Communication of Results	55
9	OTHER BUSINESS AND LEGAL MATTERS.....	56
9.1	Fees	56
9.1.1	Certificate Issuance or Renewal Fees.....	56
9.1.2	Certificate Access Fees.....	56
9.1.3	Other Assets.....	56
9.1.4	Fees for Other Services.....	56
9.1.5	Refund Policy	57
9.2	Financial Responsibility.....	57
9.2.1	Insurance Coverage	57
9.2.2	Other Assets.....	57
9.2.3	Insurance or Warranty Coverage for End-entities	57
9.3	Confidentiality of Business Information.....	57
9.3.1	Scope of Confidential Information	57
9.3.2	Information not within the Scope of Confidential Information	57
9.3.3	Responsibility to Protect Confidential Information	57
9.4	Privacy of Business Information.....	58
9.4.1	Privacy Plan.....	58
9.4.2	Information Treated as Private	58
9.4.3	Information not Deemed Private.....	58
9.4.4	Responsibility to Protect Private Information	58
9.4.5	Notice and Consent to Use Private Information	58
9.4.6	Disclosure Pursuant to Judicial or Administrative Process.....	58
9.4.7	Other Information Disclosure Circumstances	58
9.5	Intellectual Property Rights	58
9.6	Representations and Warranties	59
9.6.1	CA Representations and Warranties	59
9.6.2	RA Representations and Warranties	59
9.6.3	Subscriber Representations and Warranties.....	59
9.6.4	Relying Party Representations and Warranties.....	59
9.6.5	Representations and Warranties of Other Participants	59
9.7	Disclaimers of Warranties	60

9.8	Limitation of Liability.....	60
9.9	Indemnities.....	60
9.10	Term and Termination.....	60
9.10.1	Term	60
9.10.2	Termination.....	60
9.10.3	Effect of Termination and Survival.....	60
9.11	Individual Notices and Communications with Participants.....	60
9.12	Amendments	61
9.12.1	Procedure for Amendment	61
9.12.2	Notification Mechanism and Period.....	61
9.12.3	Circumstances under which OID Must Be Changed	61
9.13	Dispute Resolution Procedures	61
9.14	Governing Law	61
9.15	Compliance with Applicable Law	61
9.16	Miscellaneous Provisions.....	62
9.16.1	Entire Agreement.....	62
9.16.2	Assignment.....	62
9.16.3	Severability	62
9.16.4	Enforcement (Attorneys' Fees and Waiver of Rights).....	62
9.16.5	Force Majeure	62
9.17	Other Provisions.....	62
References		63
Legal Notices		64

Figures

Figure 1 – SWIFTNet PKI Overview	16
Figure 2 – Layered security perimeter concept	34

Preface

Purpose of this document

This document applies to SWIFT Qualified Certificates issued by SWIFT.

1 INTRODUCTION

SWIFT is an industry-owned co-operative supplying secure messaging services and interface software to financial institutions and corporates across the globe. SWIFTNet is a portfolio of services and products enabling secure and reliable communication of mission-critical financial information and transactional data.

A Certification Practice Statement document is a statement of the practices that a certification authority employs in issuing, managing, revoking, and renewing or re-keying certificates.

The provision and use of Qualified Certificates issued by SWIFT are governed by the present *Certification Practice Statement (CPS)*, the *SWIFT Qualified Certificates Certificate Policy*, and the *SWIFT Qualified Certificates Terms and Conditions*.

This CPS conforms to the Internet Engineering Task Force (IETF) RFC 3647 for Certificate Policy and Certification Practice Statement construction.

Note

Section 3.6 of the RFC 3647 and section 4.3.2 as well as section 7.1.c) of the ETSI 101456 Technical Specification provide for the use of [references](#) to divide disclosures between public information and security sensitive confidential information. For reasons of confidentiality, SWIFT has not included specifics on controls in some sections of the CPS, but replaced them with references to internal detailed documents. These documents will only be made available to duly authorised auditors in the context of the conformity assessment process of SWIFT's Certification Authority.

1.1 Overview

This *Certification Practice Statement* applies to Qualified Certificates issued by SWIFT. Qualified Certificates are defined in the EU Directive 1999/93/EC on a Community framework for electronic signatures¹.

Every SWIFT Qualified Certificate issued under the *SWIFT Qualified Certificates Certificate Policy* will carry a Certificate Policy OID corresponding to the assurance level of that Certificate as stated in [section 1.2](#) and to the rules, requirements and definitions applicable as per the *SWIFT Qualified Certificates Certificate Policy*.

"SWIFT Qualified Certificates" are issued to Subscribers and are typically for use in conjunction with specific SWIFT services and products requiring such Qualified Certificates. The creation of the keys is performed by the Subscriber, the key-size is 2048 bit, the corresponding private key resides in an HSM, and the validity period is 2 years.

SWIFT Qualified Certificates issued under the *SWIFT Qualified Certificates Certificate Policy* provide assurance of the identity of the Subscriber, as further described in the *SWIFT Qualified Certificates Certificate Policy*.

1.2 Document Name and Identification

This document is called the '**SWIFT Qualified Certificates – Certification Practice Statement**'. No OID is defined for this *Certification Practice Statement*.

This *Certification Practice Statement* is structured according to the framework defined in IETF RFC 3647 "Internet X.509 Public Key Infrastructure Certificate Policy and Certification Practices Framework".

¹ The European Directive 1999/93/EC of the European Parliament and the Council of the 13 December 1999 on a Community framework for electronic signatures. O.J. L 13, 19.1.200, p.12.

1.3 PKI Participants

In the context of issuing SWIFT Qualified Certificates, SWIFT is acting as the Certification Service Provider. As Certification Service Provider, SWIFT has final and overall responsibility for the provision of the SWIFT Qualified Certificates offering, namely the Certificate generation services through the SWIFTNet PKI Certification Authority, the registration services through the SWIFTNet PKI Registration Authority, the Revocation Management Services, the Revocation Status Information Service (providing Certificate validity status information), and the Dissemination Services. Other PKI participants are the Subject Device (HSM) Provisioning Services, the Subscribers, and the Relying Parties.

All communications between certification component service providers regarding any phase of the lifecycle of the Certificates are secured with PKI-based encryption and signing or strong authentication techniques (PKI-based or not) to ensure confidentiality, mutual authentication and secure logging/auditing.

1.3.1 Certification Authorities

SWIFT operates the **SWIFTNet PKI CA**, the Certification Authority which issues the SWIFT Qualified Certificates that are ruled by the *SWIFT Qualified Certificates Certificate Policy*.

1.3.2 Registration Authorities

SWIFT operates the **SWIFTNet PKI RA**, the Registration Authority of the SWIFTNet PKI in the context of issuing the SWIFT Qualified Certificates.

1.3.3 Subscribers

Subscribers of SWIFT Qualified Certificates are those organisations that contract with SWIFT for the issuance of a SWIFT Qualified Certificate in their name. Typically, Subscribers are SWIFT users that require a SWIFT Qualified Certificate to sign messages or files sent over SWIFT.

1.3.4 Relying Parties

The Relying Parties are those persons who are relying on a SWIFT Qualified Certificate by verifying the signature of a Subscriber.

1.3.5 Other Participants

SUBJECT DEVICE PROVISIONING SERVICES

The Secure Subject Devices required to contain the private key corresponding to the SWIFT Qualified Certificate (the Hardware Security Module, HSM) are provided to the Subscribers by SWIFT. The creation of the Certificate key pair is performed by and under sole control of the Subscriber. The private key is generated in the HSM and cannot be exported in clear text form.

DISSEMINATION AND REPOSITORY SERVICES

SWIFT is operating the Dissemination Services (publication of *Certification Practice Statement*, *Certificate Policy*, *General Terms and Conditions*, CA certificate, and other related, public documents). These services are available from <http://www.swift.com/pkirepository>. This interface also provides access to former versions of these documents (*Certification Practice Statement*, *Certificate Policy*, *General Terms and Conditions*).

Access to CRLs, CA Certificates, Certificates download, Certificates status is provided through the SWIFT network and related hardware and software configuration required for SWIFT connectivity. A combined CRL is also publicly available from <https://www2.swift.com/pkirepository/SWIFTCA.crl>.

Dissemination and Repository Services are provided as described in section 2 of the present *Certification Practice Statement*.

REVOCATION MANAGEMENT SERVICES AND REVOCATION STATUS INFORMATION SERVICES

SWIFT is operating the Revocation Management Services and the Revocation Status Information Services (which provide Certificate validity status information) with regards to the SWIFT Qualified Certificates that are ruled by the *SWIFT Qualified Certificates Certificate Policy*.

Revocation of a SWIFT Qualified Certificate can be requested by the Subscriber to which the Certificate is issued, as well as by SWIFT as Certification Service Provider as ruled by the present *Certification Practice Statement* (see [section 4.9.1](#)).

1.4 Certificate Usage

1.4.1 Appropriate Certificate Uses

SWIFT QUALIFIED CERTIFICATES

These Certificates have a Policy OID 1.3.21.6.3.10.200.3.

"SWIFT Qualified Certificates" are issued to Subscribers as defined in [section 1.3.3](#). The creation of the keys is performed by the Subscriber, the key-size is 2048 bit, the corresponding private key is generated in, and resides in, an HSM (and cannot be exported in clear text form), and the validity period is 2 years.

The Certificates issued under the *SWIFT Qualified Certificates Certificate Policy* provide assurance of the identity of the Subscriber, and are typically for use in conjunction with specific SWIFT services and products requiring such Qualified Certificates.

The permitted usage of a SWIFT Qualified Certificate is limited to the support of electronic signatures and non-repudiation. See [section 7.1](#) for more information on the KeyUsage definition of a SWIFT Qualified Certificate.

The Subscriber is identified through an ISO 9362 Business Identifier Code (BIC) in the Certificate Subject field.

1.4.2 Prohibited Certificate Uses

No stipulation.

1.5 Policy Administration

1.5.1 Organisation Administering the Document

The SWIFTNet PKI Policy Management Authority (PMA) consists of different complementary organisational entities and working groups within SWIFT, managing the SWIFTNet PKI service.

The SWIFTNet PKI PMA has the responsibility for continually and effectively managing SWIFTNet PKI related risks. This includes a responsibility to periodically re-evaluate risks to ensure that the controls that have been defined remain appropriate, and a responsibility to periodically review the controls as implemented, to ensure that they continue to be effective. This is covered by the Information Security Risk Management framework at SWIFT.

1.5.2 Contact Person

All questions and comments regarding this *Certification Practice Statement* should be addressed to the representative of the SWIFTNet PKI Policy Management Authority (PMA):

SWIFT SCRL – ITOPS – Enterprise Security & Architecture
Avenue Adele 1
1310 La Hulpe
Belgium

Tel: +32 2 655 33 32 - E-mail: swift-pma@swift.com

The SWIFTNet PKI Policy Management Authority (PMA) determines CPS suitability for the related *SWIFT Qualified Certificates Certificate Policy*. This determination is limited to the *SWIFT Qualified Certificates – Certification Practice Statement*.

1.5.3 Approval Procedures

The SWIFTNet PKI Policy Management Authority (PMA) approves this *Certification Practice Statement* and any subsequent changes.

The existing SWIFT Change Control mechanism will be used to trace all identified changes to the content of this *Certification Practice Statement*.

Comments, questions, and change requests to this *Certification Practice Statement* document should be addressed to the SWIFTNet PKI Policy Management Authority specified in [section 1.5.2](#).

This Certification Practice Statement shall be reviewed in its entirety every year or when major SWIFTNet PKI releases are implemented. Errors, updates, or suggested changes to this *Certification Practice Statement* shall be communicated to the SWIFTNet PKI Policy Management Authority.

More information can be found in the **Policies** references.

1.6 Definitions and Acronyms

1.6.1 Acronyms

Acronym	Definition
ARL	Authority Revocation List
BIC	Business Identifier Code
CA	Certificate Authority
CMP	Certificate Management Protocol
CP	Certificate Policy
CPS	Certification Practice Statement
CRL	Certificate Revocation List
DN	Distinguished Name
HSM	Hardware Security Module
KMA	Key Management Application
LSO	Local Security Officer
OCSP	Online Certificate Status Protocol
OID	Object Identifier
PKI	Public Key Infrastructure
PMA	Policy Management Authority
RA	Registration Authority

1.6.2 Definitions

Terms	Definitions
Activation Data	Data values other than whole private keys that are required to operate private keys or cryptographic modules containing private keys, such as a PIN, passphrase, or portions of a private key used in a key-splitting scheme. Protection of activation data prevents unauthorised use of the private key.
Certificate	A unit of information contained in a file that is digitally signed by the Certification Authority. It contains, at a minimum, the issuer, a public key, and a set of information that identifies the entity that holds the private key corresponding to the public key.
Certificate Generation Activation Secrets	Data values that are required to initiate the certification process and that link the Certificate registration with the actual Certificate issuing.
Certificate Revocation List	<p>A signed list of identifiers of Certificates that have been revoked. Abbreviated as CRL. It is made available by the SWIFTNet PKI CA to Subscribers and Relying Parties. The CRL is updated after each Certificate revocation process. The CRL does not necessarily contain identifiers of revoked Certificates that are past their validity date (that is, expired).</p> <p>SWIFTNet PKI provides both partitioned CRLs and a combined CRL. Partitioned CRLs contain information on a specific subset of revoked SWIFT Qualified Certificates. Each SWIFT Qualified Certificate indicates in which partitioned CRL its revocation information can be found. The combined CRL contains information on all revoked SWIFT Qualified Certificates.</p>
Hardware Security Module (HSM)	Hardware Security Module. An electronic device offering secure key pair generation and storage, and implementing cryptographic operations using the stored key pairs.
Qualified Certificate	A Certificate which meets the requirements laid down in Annex I of EU Directive 1999/93/EC and is provided by a Certification Service Provider who fulfils the requirements laid down in Annex II of that Directive.
Relying party	<p>Person or organisation acting upon a Certificate, typically to verify signatures by the Subscriber or to perform encryption towards the Subscriber. The Relying Party relies upon the accuracy of the binding between the Subscriber public key distributed via that Certificate and the identity and/or other attributes of the Subscriber contained in that Certificate.</p> <p>In the context of this <i>Certification Practice Statement</i> for SWIFT Qualified Certificates, Relying Parties are as further defined in section 1.3.4.</p>
Subscriber	<p>Person or organisation contracting with the Certification Authority, for being issued one or more Certificates.</p> <p>In the context of this <i>Certification Practice Statement</i> for SWIFT Qualified Certificates, the Subscribers are as further defined in section 1.3.3.</p>
SWIFT	S.W.I.F.T. SCRL
SWIFTNet Directory	The SWIFTNet Directory is a centralised X.500 directory of entities that stores the Certificates and Certificate Revocation Lists that the Certification Authority issues. The SWIFTNet Directory identifies an entity by its Distinguished Name (DN).
SWIFTNet PKI	The pervasive SWIFT security infrastructure that provides digital signatures and the supporting certification services based on public key cryptography. The SWIFTNet PKI service comprises the SWIFTNet PKI CA, the SWIFTNet PKI.
SWIFTNet PKI CA	The SWIFTNet PKI Certification Authority, operated by SWIFT, creates and manages Certificates for Entities that have been registered by the SWIFTNet PKI Registration Authority.

SWIFTNet PKI RA

SWIFTNet PKI Registration Authority, operated by SWIFT.

1.7 SWIFTNet PKI Overview

This section contains an overview of SWIFTNet PKI issuing SWIFT Qualified Certificates to facilitate the reader's understanding of the basic concepts, principles, and terminology. For further detailed information, see the referenced documents.

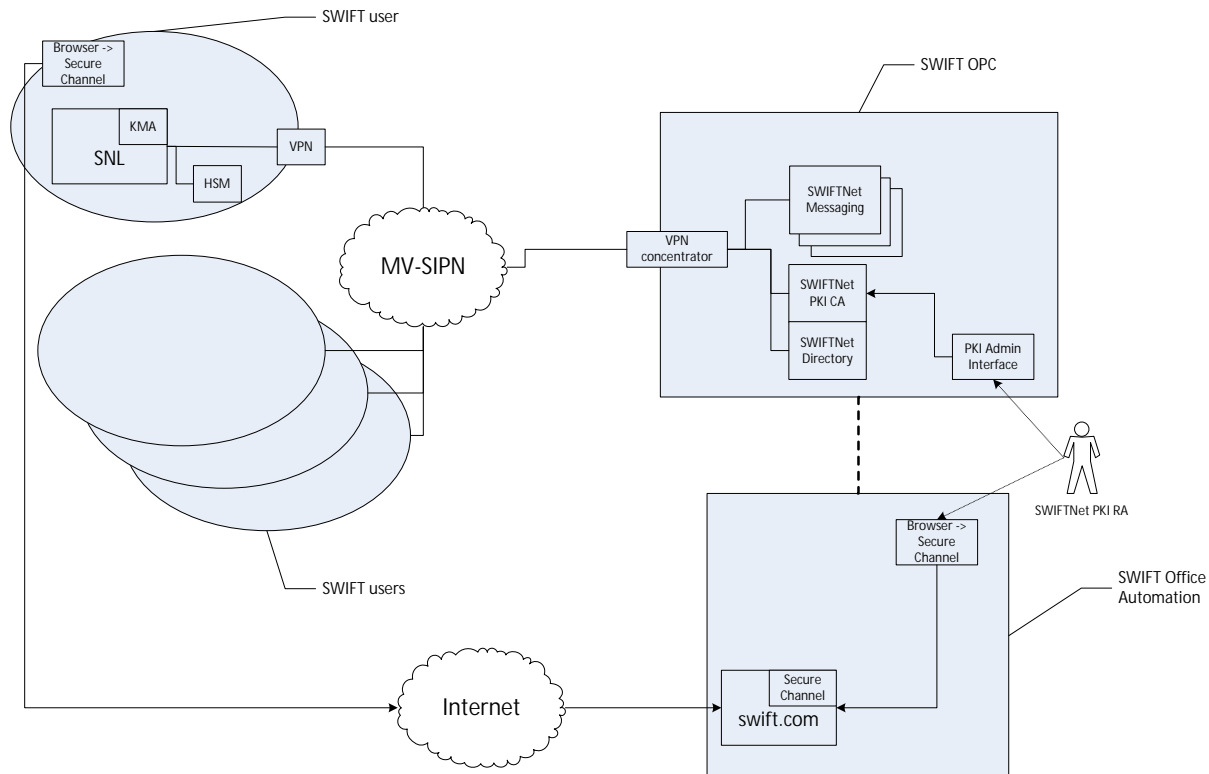


Figure 1 – SWIFTNet PKI Overview

SWIFTNet PKI is the Public Key Infrastructure that SWIFT, acting as Certification Service Provider, has set up for use in the SWIFTNet environment, which is a secure financial messaging service for SWIFT users (that is, SWIFT customers, typically organisations as financial institutions and large corporates, identified by their Business Identifier Code - BIC). SWIFTNet is based around an extranet, accessible only to SWIFT users, using dedicated SWIFT interface components – this extranet is called Secure IP Network (SIPN). The registration of SWIFT users is done through a secure and high-quality process.

The SWIFT interface components minimally consist of a VPN appliance for the SIPN connectivity, SWIFTNet Link (SNL) software used to communicate with SWIFTNet over SIPN, a Hardware Security Module (HSM) for handling the cryptographic material, and an Internet connect web-browser for using the Secure Channel application, which constitutes a second and independent secure communication channel between SWIFT users and SWIFT.

The participants in the SWIFTNet PKI all are SWIFT users, next to SWIFT itself. SWIFT users need to use the SWIFT interface components to interact with the PKI, for all Certificate lifecycle activities. All communications between certification component service providers regarding any phase of the lifecycle of the Certificates are secured with PKI-based encryption and signing or strong authentication techniques (PKI-based or not) to ensure confidentiality, mutual authentication and secure logging/auditing.

The SWIFTNet PKI RA is a dedicated team of SWIFT personnel, who are Security Officers of the SWIFTNet PKI infrastructure, and whose primary role is to manage the PKI provisioning of

SWIFT users. Each SWIFT user must assign a set of “Local Security Officers” (LSO) that are entitled to manage the SWIFT Qualified Certificate of the organisation it belongs to. The SWIFT user defines whether one LSO can perform the required certificate management functions, or whether dual authorisation is required, which means that a second LSO must confirm the certificate management activities of a first LSO.

The Local Security Officers have an account on the Secure Channel application based on a user ID and password, and a secure code card that is used to generate transaction-based one-time passwords. Using Secure Channel, the LSO can request a new SWIFT Qualified Certificate, and request revocation of the SWIFT Qualified Certificate. None of these actions is performed automatically; the SWIFTNet PKI RA processes Secure Channel requests, and implements the actual Certificate lifecycle action on the PKI infrastructure in the SWIFTNet “Production” environment, which is technically segregated from the Internet and Office Automation networks. Whenever certificate generation activation secrets must be provided to the LSO, these are provided over the SIPN extranet, not within the Secure Channel application available on the Internet.

1.8 SWIFT Qualified Certificate Lifecycle Overview

This section contains an overview of the SWIFT Qualified Certificate lifecycle, to facilitate the reader’s understanding of the basic concepts, principles, and terminology. For detailed information, see the [sections 3](#) and [4](#).

The lifecycle of a SWIFT Qualified Certificate starts with an organisation identifying the need for such a Certificate. Refer to the description of Subscriber in [section 1.3.3](#), that is, “Subscribers of SWIFT Qualified Certificates are those organisations that contract with SWIFT for the issuance of a SWIFT Qualified Certificate in their name. Typically, Subscribers are SWIFT users that require a SWIFT Qualified Certificate to sign messages or files sent over the SWIFT network.”

Prerequisite

The subscribing organisation takes the steps required to join SWIFT (if not already the case), and to contract with SWIFT for a service requiring a SWIFT Qualified Certificate. As part of joining SWIFT,

- The subscribing organisation will acquire SWIFT Secure IP Network (SIPN) connectivity, SWIFTNet Link (SNL) software used to communicate with SWIFTNet over SIPN, and a Hardware Security Module (HSM) for handling the cryptographic material.
- The subscribing organisation will define at least two LSO accounts that obtain an account on the Secure Channel service, protected with a user ID, a password, and a secure code card. Note: The Subscriber can also define if these LSO accounts need dual authorisation for their activities.

Registration

As part of the ordering and contracting process for Qualified Certificates,

- SWIFT will perform an identity verification process, referred to as “QC Customer Identification”. This process is the Subscriber registration phase, and will provide assurance on the identity of the Subscriber and a natural person representing it. When this QC Customer Identification process has been performed, the Subscriber is informed of this, and of the status of the outcome (success or failure). Only if the outcome is successful, the subscribing organisation is eligible to obtain a SWIFT Qualified Certificate. In this case, SWIFT provides the Subscriber with user documentation on how to request SWIFT Qualified Certificates.
- The Subscriber must appoint at least two LSO accounts (from the ones the organisation created at that point, as part of its SWIFT network connectivity setup) that are henceforth formally mandated to manage the Subscriber’s Qualified Certificate. This list of mandated LSO accounts is reconfirmed at every subsequent QC Customer Identification.

If the outcome of the QC Customer Identification process is successful, then the Subscriber (via one of the mandated LSO accounts) can formally request a SWIFT Qualified Certificate.

Certificate Application

A mandated LSO account sends a SWIFT Qualified Certificate request through the Secure Channel application. This request is authenticated with the secure code card, and approved by a second LSO account if the dual authorisation functionality was enabled by the Subscriber.

As part of the request, the LSO account specifies a “download password”.

Certificate Application Validation by RA

As result of this Secure Channel request, the SWIFTNet PKI RA will validate the request, and if all validations are positive, the requested Certificate will be created.

An important validation step is that the QC Customer Identification process must have been completed successfully with a validation date no longer than 3 months before the Secure Channel request. In case it is not recent enough, the QC Customer Identification procedure has to be executed first. The Certificate creation consists of putting the related Subject DN (together with all other Certificate parameters – except the public key and “valid from” date) in the PKI system as “ready for certification”, which results in issuing “certificate generation activation secrets”. These “certificate generation activation secrets” are made available for download by the LSO account using the password defined as part of the request, and an email is sent to this account (and the authorising account) as acknowledgement.

Certificate Request

The LSO account uses a computer connected to SIPN to navigate to the download page, specifies the “download password”, and receives the “certificate generation activation secrets”. This can be performed only once. The “certificate generation activation secrets” remain valid for 180 days.

Note: At this point, if the Subscriber decides that there is no longer a need for the SWIFT Qualified Certificate, then he can decide to deactivate the “certificate generation activation secrets” by means of the Secure Channel application.

The LSO account transmits these “certificate generation activation secrets” to an operator of the SNL software (it can be the same person, but typically these are different roles in the organisation). The operator launches the SNL “KMA” application to generate the key pair on the HSM, to specify a password for accessing the private key (“activation data”), and to send the public key together with the “certificate generation activation secrets” to the SWIFTNet PKI CA (transported over SIPN²).

Certification

The SWIFT Qualified Certificate is generated based on the public key, the Subject DN, and other Certificate parameters as defined by the SWIFTNet PKI RA. The generated SWIFT Qualified Certificate is returned to the KMA application.

Certificate Acceptance

The SWIFT Qualified Certificate is installed by the KMA application alongside the key pair.

KMA receives from the CA some policy statements as defined by the SWIFTNet PKI RA, requiring the key pair to be generated on HSM, and the password policy to be enforced for the “activation data”. The KMA software enforces these policy statements for the operator.

Renew (Re-key) Certificate

In case the old SWIFT Qualified Certificate is expired, revoked, or about to expire, a process enables the Subscriber to obtain a new one. The state “about to expire” is defined as the time-period 90 days before the Certificate will expire.

² Using the PKIX-CMP protocol

The process to obtain a new SWIFT Qualified Certificate consists of the same steps as described above for the initial Certificate request:

- Certificate Application
- Certificate Application Validation by RA
Note: this includes the validation of the required conditions for a new certificate request.
- Certificate Request
- Certification
- Certificate Acceptance

Revoke Certificate

At any time, the Subscriber can revoke its SWIFT Qualified Certificate, for example, if there is suspicion that the private key is compromised or stolen, or if the private key is lost or deleted. To perform such a revocation, the Subscriber (through one of the mandated LSO accounts) uses the Secure Channel application to request the revocation of its SWIFT Qualified Certificate. This request is authenticated with the secure code card, and approved by a second LSO account if the dual authorisation functionality was enabled by the Subscriber.

As result of this Secure Channel request, the SWIFTNet PKI RA will validate the request, and if all validations are positive, it will revoke the Certificate. The CRL will be updated and published automatically. After revocation, the LSO account (and, if relevant, the authorising account) receives a confirmation.

2 PUBLICATION AND REPOSITORY RESPONSIBILITIES

2.1 Repositories

The SWIFTNet Directory is a centralised X.500 directory of entities that stores the Certificates and Certificate Revocation Lists that the Certification Authority issues. An Authority Revocation List (ARL) is published in the SWIFTNet Directory. The SWIFTNet Directory identifies an entity by its Distinguished Name (DN).

This *Certification Practice Statement* document is available online on <http://www.swift.com/pkirepository>. This repository shall also contain other public documents related to the issuance of SWIFT Qualified Certificates, such as the *SWIFT Qualified Certificates Certificate Policy*, the *SWIFT Qualified Certificates Terms and Conditions*, and the SWIFTNet PKI CA public key certificate.

A combined Certificate Revocation List (CRL) is available on <https://www2.swift.com/pkirepository/SWIFTCA.crl>.

Availability of the SWIFTNet Directory is as described in [section 4.10.2](#). Availability of the document repository and combined CRL repository is designed to exceed 99.8% of SWIFTNet business hours - defined as 24 hours per day, seven days per week, excluding planned maintenance periods as indicated on www.swift.com > Support > Operational status.

2.2 Publication of Certification Information

SWIFTNet PKI CA publishes Certificates and Certificate Revocation Lists (CRLs) in the SWIFTNet Directory. A combined Certificate Revocation List (CRL) is also publicly available on <https://www2.swift.com/pkirepository/SWIFTCA.crl>.

SWIFTNet PKI CA removes expired Certificates from its Certificate Revocation Lists.

2.3 Time or Frequency of Publication

New CRLs are created either every 24 hours by the re-signing of existing CRLs or immediately after a Certificate revocation. The new CRL(s) are published in the SWIFTNet Directory immediately following creation, and will be available for Relying Parties to download within 7 minutes after creation. The combined CRL available on

<https://www2.swift.com/pkirepository/SWIFTCA.crl> is published every 24 hours.

Certificates are published in the SWIFTNet Directory immediately after creation. Expired Certificates are removed from the SWIFTNet Directory when a new Certificate is issued to the same Subject Distinguished Name (DN), as described in [sections 3.3](#) and [4.7](#).

Updates to the *SWIFT Qualified Certificates Certificate Policy*, the *SWIFT Qualified Certificates – Certification Practice Statement*, the *SWIFT Qualified Certificates Terms and Conditions*, and other public documents are published whenever a change occurs, ensuring a period of minimum fourteen (14) days between the publication date and the effective date (see [section 9.12](#)).

2.4 Access Controls on Repositories

The Certificates and Certificate Revocation Lists are available to security officers through SWIFTNet Link.

The Subscribers and Relying Parties have **Read** access to the Certificates and CRLs in the SWIFTNet Directory. **Write** access to the Certificates and CRLs in the SWIFTNet Directory is restricted to the SWIFTNet PKI CA.

3 IDENTIFICATION AND AUTHENTICATION

3.1 Naming

The SWIFT Qualified Certificates are issued to Subscribers as defined in [section 1.3.3](#). A Subscriber is identified by a Business Identifier Code (BIC), which is a standardized (ISO 9362) identifier for financial and non-financial institutions to facilitate automated processing of telecommunication messages in banking and related financial transaction environments.

SWIFT Qualified Certificates have a Subject Distinguished Name (DN) with the pattern `cn=%<number>,cn=Qualified Enterprise,o=<BIC>,o=swift`

in which the `cn=%<number>` part is optional, and `<number>` is a numeric string with a maximum length of 8 digits.

The element representing the identity of the Certificate's Subject is the `o=<BIC>`, appearing in 2nd level after root `o=swift`.

The optional `cn=%<number>` part allows the Subscriber to handle multiple SWIFT Qualified Certificates in its organisation.

SWIFT Qualified Certificates are issued by the SWIFTNet PKI CA, which has a self-signed CA Certificate issued to Subject "o=swift", and is hence also the Root CA and Trust Anchor in the SWIFTNet PKI.

SWIFT Qualified Certificates include Certificate extension "Issuer Alternative Name" to indicate the name of the Certification Service Provider organisation as stated in the official records, and the country in which it is established, as "cn=SWIFTNet PKI CA,o=S.W.I.F.T. SCRL,C=BE".

3.1.1 Types of Names

Refer to [section 3.1](#).

3.1.2 Need for Names to be Meaningful

Refer to [section 3.1](#).

3.1.3 Anonymity or Pseudonymity of Subscribers

Refer to [section 3.1](#).

3.1.4 Rules for Interpreting Various Name Forms

Refer to [section 3.1](#).

3.1.5 Uniqueness of Names

Refer to [section 3.1](#).

3.1.6 Recognition, Authentication, and Role of Trademarks

Refer to [section 3.1](#).

3.2 Initial Identity Validation

3.2.1 Method to Prove Possession of Private Key

The possession of the private key for SWIFT Qualified Certificates issued by the SWIFTNet PKI CA is verified by validating the digital signature during a “proof-of-possession” PKIX-CMP³ exchange.

3.2.2 Authentication of Organisation Identity

SWIFT QUALIFIED CERTIFICATE – REGISTRATION PROCESS

Prerequisites:

The SWIFTNet PKI CA issues SWIFT Qualified Certificates to Subscribers as defined in [section 1.3.3](#). Therefore, an organisation requesting a SWIFT Qualified Certificate must fulfil the necessary prerequisites to obtain SWIFT network connectivity. This includes setting up a hardware and software configuration that allows connectivity on SWIFTNet, and offers a strong authentication mechanism, strong confidentiality and integrity protection, and a trusted communication channel for the Subscriber to communicate with SWIFT.

As part of its configuration, the Subscriber defines at least two “Local Security Officer” (LSO) accounts that are entitled to manage the Subscriber’s SWIFTNet configuration. The Subscriber can choose to work in a dual authorisation mode, in which a second LSO account needs to approve the configuration change introduced by a first LSO account.

The LSO accounts are entitled by the Subscriber to manage its Qualified Certificate. The LSO accounts are defined as part of the SWIFT network connectivity setup. The LSO accounts must belong to the Subscriber organisation. [Section 4.1.2](#) elaborates this process.

The identity validation process involves the verification by SWIFT of the identity of the Subscriber and the identity of a natural person representing the organisation. SWIFT will ask the Subscriber to provide identity information and supporting documents as required to perform the identification. The identification is based on documents that are applicable in the local country, such as a valid Certificate of Incorporation, and a valid personal identification document. SWIFT stores the identification documents and retains this information for the required period (30 years).

Identification and authentication procedures for registration by the SWIFTNet PKI RA are detailed in SWIFT internal documents (QC Customer Identification process).

More information is available in the **Registration** and in the **Certification** references.

3.2.3 Authentication of Individual Identity

Refer to [section 3.2.2](#).

3.2.4 Non-verified Subscriber Information

No stipulation.

3.2.5 Validation of Authority

Refer to [section 3.2.2](#).

3.2.6 Criteria for Interoperation

No stipulation.

³ Certificate Management Protocol, RFC 4210

3.3 Identification and Authentication for Re-key Requests

Certificate renewal as defined in PKI standards, that is, issuing a new Certificate to an existing key pair, is a functionality that is not implemented by the SWIFTNet PKI.

Subscribers that need to renew their Certificates shall also be required to generate new key pairs (known as re-key).

Re-key requests are considered to be new Certificate requests. Before such new Certificates are issued, the identity of the Subscriber and representing natural person will be re-verified as described in [section 3.2.2](#) on Initial Identity Validation. Updated or new identification documents are added to the customer information file and retained for the required period (30 years).

3.3.1 Identification and Authentication for Routine Re-key

The same process as for Initial Identity Validation is used ([section 3.2.2](#)).

3.3.2 Identification and Authentication for Re-key after Revocation

The same process as for Initial Identity Validation is used ([section 3.2.2](#)).

3.4 Identification and Authentication for Revocation Requests

The LSO accounts are entitled by the Subscriber to which they belong to manage its Qualified Certificate, including revocation. The LSO accounts are defined as part of the SWIFT network connectivity setup.

Identification and authentication procedures for revocation by the Certification Authority (for reasons discussed in [section 4.9.1](#)) are detailed in SWIFT internal documents.

For more information related to revocation, see [section 4.9](#).

4 CERTIFICATE LIFECYCLE OPERATIONAL REQUIREMENTS

4.1 Certificate Application

4.1.1 Who Can Submit a Certificate Application?

A SWIFT Qualified Certificate can be requested by a Subscriber “Local Security Officer” account. The LSO accounts are mandated by the Subscriber, as discussed in [section 3.2.2](#).

4.1.2 Enrolment Process and Responsibilities

The LSO account as registered with SWIFT and entitled by the Subscriber to manage its SWIFT Qualified Certificate, uses the “Secure Channel” application to communicate with the RA, and request a SWIFT Qualified Certificate.

The Subject DN for a SWIFT Qualified Certificate has a fixed structure per Subscriber, as described in the “Naming” [section 3.1](#) above. The LSO account submits a request for Certificate issuing to the SWIFTNet PKI RA using the “Secure Channel” application. As part of preparing the request, the LSO account defines a download password that is used in a later phase of the process. If the Subscriber requires dual authorisation, a second LSO account must confirm this request.

The request to issue a SWIFT Qualified Certificate must be performed no later than 3 months after the successful completion of the identity validation process (described in [section 3.2.2](#)).

The SWIFTNet PKI RA registers the Subject DN in the PKI, defines the Certificate parameters, and configures it to be ready for certification. This results in the generation of “certificate generation activation secrets”, which are made available to the LSO account for secure download – using the download password defined previously.

The LSO account subsequently downloads the certificate generation activation secrets. Further use is described in [section 4.3](#).

The procedures for the enrolment process by the SWIFTNet PKI RA are detailed in SWIFT internal documents.

More information is available in the **Registration** and in the **Certification** references.

4.2 Certificate Application Processing

4.2.1 Performing Identification and Authentication Functions

The Subscriber and its LSO accounts are defined as part of the SWIFT network connectivity setup, as described in [section 3.2.2](#). The LSO accounts have a secure communication channel with SWIFT called “Secure Channel”, in which their identity is strongly authenticated.

More information is available in the **Registration** and in the **Certification** references.

4.2.2 Approval or Rejection of Certificate Applications

Not applicable.

4.2.3 Time to Process Certificate Applications

SWIFTNet PKI RA will process the Certificate application on Belgian business days. The notification towards the LSO account that the certificate generation activation secrets are available is sent the next Belgian business day.

4.3 Certificate Issuance

4.3.1 CA Actions during Certificate Issuance

As described in [section 4.1.2](#) the LSO account receives certificate generation activation secrets after having requested a SWIFT Qualified Certificate to the SWIFTNet PKI RA.

As described in [section 3.2.2](#), the Subscriber must have set up a hardware and software configuration that allows connectivity on SWIFTNet. To obtain a SWIFT Qualified Certificate, the Subscriber must use this SWIFTNet connectivity, in particular the Key Management Application (KMA) available on the SWIFTNet Link interface.

The KMA generates the public and private key pair on an HSM connected to the SWIFTNet Link. KMA requires the LSO account to supply the certificate generation activation secrets, and sends these together with the public key to the SWIFTNet PKI CA. The exchange between the KMA and the SWIFTNet PKI CA is based on the PKIX-CMP protocol.

The SWIFTNet PKI CA validates the certificate generation activation secrets, and generates the Certificate with the Certificate parameters provided by the SWIFTNet PKI RA as described in [section 4.1.2](#).

The certificate generation activation secrets remain valid during 180 days, but can only be used once.

4.3.2 Notification to Subscriber by the CA of Issuance of Certificate

Refer to [section 4.3.1](#).

4.4 Certificate Acceptance

4.4.1 Conduct Constituting Certificate Acceptance

By using the certificate generation activation secrets in the Key Management Application, the Certificate is automatically generated and accepted.

4.4.2 Publication of the Certificate by the CA

The Certificate is published by the SWIFTNet PKI CA to the SWIFTNet Directory.

4.4.3 Notification of Certificate Issuance by the CA to Other Entities

Not applicable.

4.5 Key Pair and Certificate Usage

4.5.1 Subscriber Private Key and Certificate Usage

The key pairs associated to SWIFT Qualified Certificates are generated and stored in a Hardware Security Module (HSM) by the Subscriber and under its sole control.

Access to the private key in the HSM is protected with a password, which is chosen by the Subscriber and which must be compliant to the password policy imposed by the Key Management Application (see *SWIFT Qualified Certificates Certificate Administration Guide*).

4.5.2 Relying Party Public Key and Certificate Usage

Relying Parties should not rely on SWIFT Qualified Certificates issued in accordance with the *SWIFT Qualified Certificates Certificate Policy*, unless they have performed the following actions:

- Successfully perform public key operations as a condition of relying on a SWIFT Qualified Certificate.
- Validate a Certificate by using the SWIFTNet PKI CA's Certificate Revocation Lists (CRLs) (see also [section 4.9.6](#)).
- Untrust a SWIFT Qualified Certificate if it has been revoked or has expired.
- Take all other precautions with regard to the use of the SWIFT Qualified Certificate as set out in the *SWIFT Qualified Certificates Certificate Policy* or elsewhere, and rely on a SWIFT Qualified Certificate as may be reasonable under the circumstances.

4.6 Certificate Renewal

Certificate renewal as defined in PKI standards, that is, issuing a new Certificate to an existing key pair, is a functionality that is not implemented by the SWIFTNet PKI.

Subscribers who wish to renew their Certificates shall also be required to generate new key pairs (known as re-key).

4.6.1 Circumstance for Certificate Renewal

Not implemented. See introduction of [section 4.6](#).

4.6.2 Who May Request Renewal

Not implemented. See introduction of [section 4.6](#).

4.6.3 Processing Certificate Renewal Requests

Not implemented. See introduction of [section 4.6](#).

4.6.4 Notification of New Certificate Issuance to Subscriber

Not implemented. See introduction of [section 4.6](#).

4.6.5 Conduct Constituting Acceptance of a Renewal Certificate

Not implemented. See introduction of [section 4.6](#).

4.6.6 Publication of the Renewal Certificate by the CA

Not implemented. See introduction of [section 4.6](#).

4.6.7 Notification of Certificate Issuance by the CA to Other Entities

Not implemented. See introduction of [section 4.6](#).

4.7 Certificate Re-key

Re-Key requests are considered to be new certificate requests. The same process applies as described in sections [4.1](#), [4.2](#), [4.3](#) and [4.4](#).

4.7.1 Circumstance for Certificate Re-key

When the private key corresponding to the SWIFT Qualified Certificate is less than 90 days away from expiring ("valid to" date, as described in [section 7.1](#)), the Subscriber can submit a request for a new SWIFT Qualified Certificate, which will be validated, and either rejected or accepted and processed by SWIFTNet PKI RA.

Additionally, in case the Certificate has been revoked, the Subscriber can submit a request for a new SWIFT Qualified Certificate, which will be validated, and either rejected or accepted and processed by the SWIFTNet PKI RA.

4.7.2 Who May Request Certification of a New Public Key

The same process as for initial Certificate application is used ([section 4.1.1](#)).

4.7.3 Processing Certificate Re-keying Requests

The same process as for initial Certificate application is used ([section 4.2](#)). As described in [section 3.3](#), identity validation is repeated, which takes additional processing time.

4.7.4 Notification of New Certificate Issuance to Subscriber

The same process as for initial Certificate issuance is used ([section 4.3](#)).

4.7.5 Conduct Constituting Acceptance of a Re-keyed Certificate

The same process as for initial Certificate acceptance is used ([section 4.4.1](#)).

4.7.6 Publication of the Re-keyed Certificate by the CA

The same process as for initial Certificate acceptance is used ([section 4.4.2](#)).

4.7.7 Notification of Certificate Issuance by the CA to Other Entities

The same process as for initial Certificate application is used ([section 4.4.3](#)).

4.8 Certificate Modification

4.8.1 Circumstance for Certificate Modification

Certificate modification is a functionality that is not implemented by the SWIFTNet PKI.

4.8.2 Who May Request Certificate Modification

Certificate modification is a functionality that is not implemented by the SWIFTNet PKI.

4.8.3 Processing Certificate Modification Requests

Certificate modification is a functionality that is not implemented by the SWIFTNet PKI.

4.8.4 Notification of New Certificate Issuance to Subscriber

Certificate modification is a functionality that is not implemented by the SWIFTNet PKI.

4.8.5 Conduct Constituting Acceptance of Modified Certificate

Certificate modification is a functionality that is not implemented by the SWIFTNet PKI.

4.8.6 Publication of the Modified Certificate by the CA

Certificate modification is a functionality that is not implemented by the SWIFTNet PKI.

4.8.7 Notification of Certificate Issuance by the CA to Other Entities

Certificate modification is a functionality that is not implemented by the SWIFTNet PKI.

4.9 Certificate Revocation and Suspension

4.9.1 Circumstances for Revocation

The Subscriber to which the SWIFT Qualified Certificate is issued must revoke the Certificate in case the associated private key is lost, in case the confidentiality of the private key is compromised, in case the information in the Certificate is no longer correct, and in case the confidentiality of the certificate generation activation secrets has been compromised or the certificate generation activation secrets are malfunctioning.

SWIFT as Certification Service Provider must revoke a SWIFT Qualified Certificate in exceptional circumstances as defined in the governing law: for example, in case SWIFT is informed of a strong suspicion that the registration information was wrong or falsified, of evidence that the information in the Certificate is no longer correct, that the confidentiality of the private key was compromised, or that the organisation to which the Certificate is issued (the Subscriber) stops existing.

SWIFT as Certification Service Provider must revoke all SWIFT Qualified Certificates in case of a court order, or in case SWIFT stops its Certificate Service Provider activities without handing over to another CA with similar quality and security levels.

SWIFT as Certification Service Provider is also entitled to revoke SWIFT Qualified Certificates in the exceptional circumstance that any of the algorithms, or associated parameters, used by the CA or the Subscribers becomes insufficient for its remaining intended usage.

The revocation process is irreversible. Once revoked, the Certificate cannot be unrevoked.

4.9.2 Who Can Request Revocation

The LSO account, as registered with SWIFT and entitled by the Subscriber to which it belongs to manage its SWIFT Qualified Certificates, uses the “Secure Channel” application to communicate with the SWIFTNet PKI RA, and to request a revocation for the SWIFT Qualified Certificate belonging to this Subscriber.

More information is available in the **Certification** references.

4.9.3 Procedure for Revocation Request

The LSO account, as registered with SWIFT and entitled by the Subscriber to which it belongs to manage its SWIFT Qualified Certificates, uses the “Secure Channel” application to communicate with the SWIFTNet PKI RA, and to request a revocation for the SWIFT Qualified Certificate belonging to this Subscriber.

Availability of the “Secure Channel” application is designed to exceed 99.8% of SWIFTNet business hours – defined as 24 hours per day, seven days per week, excluding planned maintenance periods as indicated on www.swift.com > Support > Operational status.

More information is available in the **Certification** references.

4.9.4 Revocation Request Grace Period

There is no grace period, revocation is immediate after the Revocation Request has been authenticated.

The SWIFTNet PKI service does not enable the temporary suspension of Certificates. The revocation process is irreversible. Once revoked, the Certificate cannot be unrevoked.

4.9.5 Time Within Which CA Must Process the Revocation Request

Revocation processing is performed by the SWIFTNet PKI RA, within 2 hours of reception of the revocation request.

4.9.6 Revocation Checking Requirement for Relying Parties

Relying Parties are required to check revocation status of certificates.

4.9.7 CRL Issuance Frequency

The CRL is issued immediately after a Certificate revocation. If there is no revocation, then the CRLs are refreshed every 24 hours.

4.9.8 Maximum Latency for CRLs

The new CRL(s) will be added to the SWIFTNet Directory immediately following creation, and will be available for Relying Parties to download from the SWIFTNet Directory within 7 minutes after its creation.

The combined CRL available on <https://www2.swift.com/pkirepository/SWIFTCA.crl> is published every 24 hours.

4.9.9 Online Revocation/Status Checking Availability

Revocation status can be checked by consulting the CRL. CRLs are available to the Relying Parties on the SWIFTNet Directory, and on <https://www2.swift.com/pkirepository/SWIFTCA.crl>.

4.9.10 Online Revocation Checking Requirements

The SWIFTNet Link software is required to access the SWIFTNet Directory for accessing the CRLs. The combined CRL on <https://www2.swift.com/pkirepository/SWIFTCA.crl> is publicly available on the Internet.

4.9.11 Other Forms of Revocation Advertisements Available

Not applicable.

4.9.12 Special Requirements Regarding Key Compromise

Not specified.

4.9.13 Certificate Suspension

Certificate suspension is a functionality that is not implemented by the SWIFTNet PKI.

4.9.14 Who can Request Suspension

Certificate suspension is a functionality that is not implemented by the SWIFTNet PKI.

4.9.15 Procedure for Suspension Request

Certificate suspension is a functionality that is not implemented by the SWIFTNet PKI.

4.9.16 Limits on Suspension Period

Certificate suspension is a functionality that is not implemented by the SWIFTNet PKI.

4.10 Certificate Status Services

4.10.1 Operational Characteristics

The Relying Parties are those persons who are acting on a SWIFT Qualified Certificate to verify the signature of a Subscriber.

Relying Parties that are SWIFT users can (re-)use their existing SWIFTNet connectivity to access the SWIFTNet Directory (see [section 3.2.2](#)). The SWIFTNet Link software is a mandatory component of this configuration, and is used to access the SWIFTNet Directory for accessing the CRLs.

Relying Parties that are not SWIFT users can access the combined CRL through the Internet on <https://www2.swift.com/pkirepository/SWIFTCA.crl>.

4.10.2 Service Availability

SWIFTNet Directory, the centralised directory of entities that stores the Certificates and Certificate Revocation Lists that the Certification Authority issues (see [section 2.1](#)), is designed to be available 24 hours a day, 7 days a week, except during planned maintenance periods.

Resilience of the SWIFTNet systems is based on recovery scenarios that include fast service restoration if a disaster affects a SWIFT operating centre. The SWIFTNet systems are run at multiple operating centres located on geographically distributed locations. SWIFT has designed the operating centre environments to eliminate single points of failure. Each operating centre is designed to carry the whole of SWIFT's normal business with full local redundancy available. SWIFT has designed all network connections between the operating centres to have at least two separate routes that can carry the full traffic load.

SWIFT organises planned maintenance, and business continuity testing, which occur during maintenance periods (known as allowable downtime windows). These maintenance windows and test windows begin on Saturday at 16:00 GMT, and their schedule is published on www.swift.com > Support > Operational status. During the maintenance windows, the SWIFTNet PKI services are subject to possible interruptions.

The levels of service that this *Certification Practice Statement* specifies assume normal operating conditions. These include resilient operations during most single-component failure scenarios within the active and standby SWIFT operating centres. The SWIFTNet design is resilient, and can handle many anomalous events without impact to customer activities. However, under certain, very unlikely, disaster scenarios, SWIFT may be unable to meet these levels of service. The potential for data loss also exists in a few of these rare circumstances. Such event will be handled through the processes referred to in [section 5.7.4](#).

The availability of the repository that includes the combined CRL is designed to exceed 99.8% of SWIFTNet business hours - defined as 24 hours per day, seven days per week, excluding planned maintenance periods as indicated on www.swift.com > Support > Operational status.

4.10.3 Optional Features

There are no optional features related to certificate status services.

4.11 End of Subscription

Subscription termination is governed by the appropriate clause in the relevant contractual arrangements in effect from time to time between the parties concerned directly.

When the subscription is terminated for reasons of breach of obligations, then SWIFT as Certification Service Provider will revoke the Subscriber's SWIFT Qualified Certificate(s).

More information can be found in the **Revocation** and in the **Termination** references.

4.12 Key Escrow and Recovery

4.12.1 Key Escrow and Recovery Policy and Practices

Key escrow is a functionality that is not implemented for SWIFT Qualified Certificates.

4.12.2 Session Key Encapsulation and Recovery Policy and Practices

Key escrow is a functionality that is not implemented for SWIFT Qualified Certificates.

5 FACILITY, MANAGEMENT, AND OPERATIONAL CONTROLS

SWIFT has established basic principles and guidance for protecting SWIFT leased or owned facilities, in addition to all personnel and property within, against natural and man-made threats. Detailed physical security requirements are applicable to various facility and zone types.

The detailed physical security requirements aim to prevent, deter, detect and delay unauthorised physical access, damage, loss, theft, compromise or interference to SWIFT's assets. These assets include premises, information processing facilities, systems and information.

Security controls are determined based on the importance of the classified physical zone, which is determined by the facility type and colour-coded security zone type. The policy focuses on protection against external and environmental threats, specifies the security requirements with regards to SWIFT hosted events, and tackles topics regarding equipment location and protection.

More information can be found in the **Policies** references.

5.1 Physical Security Controls

Physical security controls are in line with well-established internal procedures, according to the following themes:

- Site location and construction
- Physical access
- Power and air conditioning
- Water exposure
- Fire prevention and protection
- Media storage
- Waste disposal
- Offsite backup

5.1.1 Site Location and Construction

A facility type is assigned to every SWIFT facility, based on its functionality. This facility type also indicates the criticality of the facility, and determines the category of security controls to be considered.

SWIFTNet PKI CA, SWIFTNet PKI RA and SWIFTNet PKI Directory operations are conducted within SWIFT's Operating Centre facilities.

All SWIFTNet PKI components operations are conducted within physically protected environments which are designed to deter, prevent and detect both, covert (hidden) and overt (evident) penetration.

5.1.2 Physical Access

SWIFT protects the physical access to its premises based upon a layered perimeter principle: Exterior Perimeter, Building Perimeter, Interior Restricted Perimeter (with colour zones).

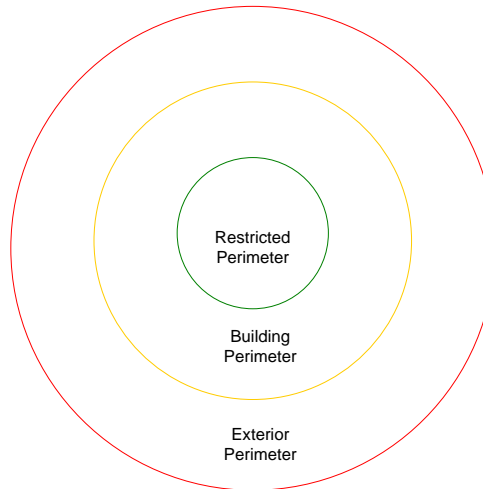


Figure 2 – Layered security perimeter concept

The physical access measures depend on the facility type and are implemented to control access to these zones. All SWIFT controlled areas within the building perimeter are classified according to a zone matrix. Each zone has its own detailed security requirements.

More information can be found in the **Policies** references.

5.1.3 Power and Air Conditioning

Each computer room has a redundant Un-interruptible Power Supply (UPS). Diesel generators, power and air-conditioning are installed with the necessary backup facilities. Air inlets are protected from access by unauthorised individuals. Power and air conditioning operate with a high degree of redundancy in highly secure areas.

5.1.4 Water Exposures

Computer rooms are constructed with the purpose of withstanding floods and water damage. Secure areas are protected from any water exposures.

More information can be found in the **Generic** references.

5.1.5 Fire Prevention and Protection

Computer rooms are equipped with room fire detection systems and special early detection systems. Computer rooms are also equipped with hand and fixed fire extinguishing systems based on appropriate fire extinguishing measures.

More information can be found in the **Generic** references.

5.1.6 Media Storage

Media, including backup media, are stored securely in media storage areas which are protected from fire and water exposure and damages. Backup media are securely stored in a separate location from the original media location.

5.1.7 Waste Disposal

Waste disposal is securely implemented in order to prevent unauthorised disclosure of sensitive data. Cleaning operations are strictly monitored and implemented in order to prevent unauthorised actions and/or disclosure of sensitive data.

The principles and acceptable media sanitization practices are standardized, including the responsibilities related to media sanitization at SWIFT. This standard has been built based upon existing standards such as NIST 800-88, the DoD standard 5220.22-M and other good practices.

More information can be found in the **Policies** references.

5.1.8 Offsite Backup

The business continuity management scope at SWIFT is:

- covering pre-planned responses to high-level threats and vulnerabilities such as natural disaster, terrorism, accidental fire, etc.;
- focusing on the time-critical services and functions;
- integrating the legal, contractual and regulatory requirements.

Formally approved Business Continuity Plans (BCP) are established to ensure timely recovery and availability of the critical resources (staff, systems, data and facility) in the event of an unexpected and/or major disruption.

More information can be found in the **Policies** and in the **Backup & Recovery** references.

5.2 Procedural Controls

Procedural security controls are in line with well-established internal procedures. The following themes are included:

- Trusted roles
- Number of persons required per task
- Identification and authentication for each role
- Roles requiring separation of duties

5.2.1 Trusted Roles

All new SWIFT personnel must undergo a pre-employment screening in the final stage of starting fixed term or permanent employment with SWIFT. Therefore, SWIFT considers all of its employees as trusted.

As part of their contractual obligation, SWIFT employees must agree and sign the terms and conditions of their employment contract or offer letter. This contract refers to the Code of Conduct which states their and SWIFT's responsibilities for information security.

SWIFT employees operating the key management operations, security and system administrators, security officers, system auditors or any other role involved in such operations are inherently considered as trusted roles.

SWIFT Customer Security Management (CSM) and Operations personnel are designated as holders of the various SWIFTNet PKI CA roles, as determined by the manager of the CSM department, or in some cases, by the Operations manager⁴.

Within the SWIFTNet PKI CA are a number of administrative roles that are not defined as Entities that are certified within the SWIFTNet PKI.

These roles are held by persons that have been issued one of the following types of credentials in order to allow them to perform **CA related functions** (these are mutually exclusive):

⁴ The Operations Manager designates staff for trusted roles carried out within the Operations department in support of the day-to-day operation of the SWIFT PKI CA.

- Knowledge of the password that gives access to one or more of the special predefined administrator accounts defined within the CA software; and
- Access to one or more of the special access tokens that are needed in order to activate critical security-related functions of the Hardware Security Module (HSM) in which the SWIFTNet PKI CA key pair is generated and stored⁵.

Members of SWIFT CSM may be designated as having the role of SWIFTNet PKI RA and SWIFT Security Officer as determined by the manager of the CSM department. The SWIFTNet PKI RA and SWIFT Security Officers are defined as Entities that are certified within SWIFTNet PKI and are provided with the credentials required to access the SWIFTNet PKI RA.

SWIFT Security Officers will act as Agents for the special RA Entity that is used internally by the RA software. These Agents will be responsible for all certificate and key management activities related to initialization of this module.

The processes through which staff are designated and provided with credentials are internal to SWIFT respective departments.

More information can be found in the **Policies** references.

5.2.2 Number of Persons Required per Task

For tasks related to critical functions, SWIFT has implemented a four-eyes mechanism to avoid that one person can act alone.

When the four-eyes principle is active, two authorised persons will be required to apply it where appropriate.

More information can be found in the **Policies** references.

5.2.3 Identification and Authentication for Each Role

SWIFT personnel acting within the boundaries of trusted roles are issued a SWIFT credential in order to ensure proper identification and authentication prior being allowed to perform any trusted action.

SWIFT acting as Certification Service Provider (CSP) ensures that all actions with respect to its certifications services can be attributed to the system of the CSP and/or to the member of the staff that has performed the action.

5.2.4 Roles Requiring Separation of Duties

SWIFT generally implements a strict segregation of duties between five main categories of roles:

- Security administrator
- System administrator
- Day-to-day operator
- Customer support role
- End user (or Business) role

An Emergency role is defined covering the need for exceptional Emergency functions that need to be accessible in exceptional operating conditions.

Additionally for SWIFTNet PKI, the following roles must be implemented in operational units different from the above:

- SWIFTNet PKI RA
- Participants in the private key management procedures (see [section 6.2.2](#))

More information can be found in the **Policies** references.

⁵ The SWIFT PKI CA key pair is always generated in a HSM. End-entity keys for SWIFT Qualified Certificates are also generated within an HSM.

5.3 Personnel Controls

SWIFT implemented the key security principles related to the logical employment circle: prior to, during, and at termination of employment. Several of these principles are included in the below sections.

Personnel security controls are in line with well-established internal procedures. The following themes are included:

- Qualifications, experience, and clearance requirements
- Background check procedures
- Training requirements
- Retraining frequency and requirements
- Job rotation frequency and sequence
- Sanctions for unauthorised actions
- Independent contractor requirements
- Documentation supplied to personnel

More information can be found in the **Policies** references.

5.3.1 Qualifications, Experience, and Clearance Requirements

SWIFT hires personnel with the highest levels of integrity and competence. A comprehensive set of personnel screening activities and related evaluation criteria has been defined to be able to detect risks in this matter.

The screening activities are subdivided into three categories:

- global screening activities, applicable in all locations;
- local screening activities, only applicable or allowed in certain countries or regions;
- recruitment activities, typically carried out by SWIFT recruitment staff.

5.3.2 Background Check Procedures

Background check procedures are part of the screening and recruitment activities.

The full screening programme is applicable to SWIFT employees. This also includes an evaluation of possible conflicts of interest. Additional screening checks can be imposed as per policy.

5.3.3 Training Requirements

All new SWIFT personnel receive basic security awareness training during their induction process. On top of that, dedicated on-the-job training is provided to all SWIFT personnel involved in specific tasks as described throughout this *Certification Practice Statement*.

5.3.4 Retraining Frequency and Requirements

Security refresher training is held at least every two years for all SWIFT personnel. Periodic specific training sessions are organised, allowing keeping the knowledge of SWIFT personnel updated on changing or new threats.

5.3.5 Job Rotation Frequency and Sequence

When job rotation occurs, SWIFT performs a security check, including a verification of credentials at the level of networks, systems, applications or other assets used as well as the facility and zone access authorisations.

5.3.6 Sanctions for Unauthorised Actions

The Human Resources department is responsible for the disciplinary process for SWIFT employees. For SWIFT employees who have committed a security breach, granular disciplinary actions can be invoked based on the existing overall disciplinary process at SWIFT and taking into account the standing Employment Regulations for each region.

The business owner is responsible for the disciplinary process for SWIFT temporary personnel.

5.3.7 Independent Contractor Requirements

The SWIFT Global Screening Policy also applies to SWIFT temporary personnel, including contractors and consultants. Additional screening checks can be imposed as per policy.

Any contractor or consultant is bound to contractual requirements, including non-disclosure and termination agreements in case of security breach. They are held to the same functional and security criteria that apply to SWIFT employees in a comparable position.

5.3.8 Documentation Supplied to Personnel

During initial training or retraining, SWIFT personnel is supplied with all related training and documentation material needed.

5.4 Audit Logging Procedures

Audit logging procedures are in line with well-established internal procedures, according to the following themes:

- Types of events recorded
- Frequency of processing log
- Retention period for audit log
- Protection of audit log
- Audit log backup procedures

5.4.1 Types of Events Recorded

Extensive security logging and monitoring is performed at various levels including (but not limited to):

- the physical level (including equipment cabinet access)
- the network level
- the operating system level
- the application level

The PKI software logs all significant security-related events in audit log files.

The PKI software and associated SWIFT routines also send event data to system log mechanisms, which forwards critical event data to the Operations Management System for immediate operator attention.

5.4.2 Frequency of Processing Log

SWIFT Operations staffs continually monitor security-related events that are directed to the Operations Management System. Critical event data is forwarded to the Operations Management System for immediate operator attention.

The SWIFT Customer Security Management staffs periodically reviews reports that are generated from the audit logs.

5.4.3 Retention Period for Audit Log

PKI software audit logs are retained for at least twenty-two years.

All the data modifications done (e.g. certificates, CRLs) on the SWIFTNet PKI Directory are recorded in the audit logs and these logs are safe stored for at least twenty-two years.

5.4.4 Protection of Audit Log

Secured audit log files are encoded using a cryptographic checksum. A cryptographic checksum is calculated for each audit log file and appended to the file and guarantees that an audit log has not been modified since it was created.

The log data is protected against change or deletion and the manipulation of the logs or logging parameters (such as logging clean-up rules) are under control of a security administrator and monitored regularly.

5.4.5 Audit Log Backup Procedures

The platforms used to host the software that implements the SWIFTNet PKI CA and SWIFTNet PKI Directory are all configured with mirrored disks. This mirroring protects the PKI software audit logs from risks associated with hardware failure.

Additionally, the audit logs are copied over to other systems/storage to achieve long term storage.

5.4.6 Audit Collection System (Internal versus External)

Audit data is generated and recorded at the application, network and operating system level, and is collected and stored internally at SWIFT.

5.4.7 Notification to Event-causing Subject

Where an event is logged by the audit collection system, no notice is required to be given to the individual, organisation, device, or application that caused the event.

5.4.8 Vulnerability Assessments

SWIFT implemented an overall vulnerability management process which tracks published commercial-off-the-shelf (COTS) vulnerabilities. Non-public COTS product vulnerabilities are tracked through SWIFT's advance warning networks.

SWIFT also implemented a logical intrusion test programme which allows to identify potential vulnerabilities in COTS technology, customised software or homemade development used to build SWIFT products or services used by internal or external customers.

5.5 Records Archival

5.5.1 Types of Records Archived

The paper-based records are all maintained for archival purposes by the departments that process them and stored in one or multiple locations.

An archive copy of each verification certificate and each CRL produced by the SWIFTNet PKI CA is maintained in electronic form. To maintain evidence, SWIFT time stamps, and archives records that relate to the certificate lifecycle.

5.5.2 Retention Period for Archive

Archive copies of certificates and CRLs will be retained and protected in electronic form for thirty years.

5.5.3 Protection of Archive

All archived records are time stamped and stored in archive storage facilities.

Access to the archived records related to a Subscriber will be granted to representatives designated by that Subscriber upon request. Requests must be made in writing to the SWIFT Customer Security Management department.

The integrity of certificates and CRLs is protected electronically.

5.5.4 Archive Backup Procedures

The paper-based records are all maintained for archival purposes by the departments that process them and stored in one or multiple locations.

Archived records are copied over to long term archival devices.

5.5.5 Requirements for Time-stamping of Records

The clocks of all SWIFT information systems are synchronized with an agreed time standard (e.g. UTC). All SWIFT systems are kept in sync with the master clock. The master clock itself is synchronised with a reliable source.

5.5.6 Archive Collection System (Internal or External)

The SWIFT archive collection system is internal.

5.5.7 Procedures to Obtain and Verify Archive Information

Access to the archived records related to a Subscriber will be granted to representatives designated by that Subscriber upon request. Requests must be made in writing to the SWIFT Customer Security Management department.

Only dedicated SWIFT personnel will be allowed to obtain and verify archive information, and only on request of the Subscriber.

5.6 Key Changeover

Not applicable. SWIFTNet PKI Certificates will be issued with a validity time within the validity time of the CA root Certificate.

For more information, please refer to [section 6.1.1](#).

5.7 Compromise and Disaster Recovery

5.7.1 Incident and Compromise Handling Procedures

SWIFT maintains incident and crisis management procedures, and full Business Continuity Management processes. SWIFTNet PKI is part of these processes, and details are described in SWIFT internal documents.

More information can be found in the **Backup & Recovery** references.

5.7.2 Computing Resources, Software, and/or Data are Corrupted

The SWIFTNet PKI is designed to maintain a high-level of system integrity and availability.

The SWIFTNet PKI components are installed, connected and operated from the SWIFT Operating Centres. Each SWIFT Operating Centre acts as the backup Operating Centre of each other.

The SWIFTNet PKI Directory is replicated in multiple instances in each SWIFT Operating Centre. There is one active SWIFT Operating Centre at a given time. During this period of time, the other Operating Centres are acting as the backup site. At regular interval, SWIFT switches over its active Operating Centre from one centre to the others.

More information can be found in the **Backup & Recovery** references.

5.7.3 Entity Private Key Compromise Procedures

SWIFT established and maintains a confidential Root Key Renewal Procedure to be used in case the SWIFTNet PKI CA private key is compromised.

Subscriber private key compromise procedures consist of revocation and re-key processes, see [section 4](#). Additionally the Subscriber has the possibility of using an HSM with high-availability and/or secure key cloning functionality ([section 6.2.4](#)).

More information can be found in the **Backup & Recovery** references as well in the **Design, I&C Guide** and the **Generic** references for HSM specifics.

5.7.4 Business Continuity Capabilities after a Disaster

SWIFT maintains Business Continuity Management processes. The SWIFTNet PKI is part of these processes.

Service restoration in case of a disaster affecting a SWIFT Operating Centre is described in the [SWIFTNet 7.0 Service Description](#).

More information can be found in the **Backup & Recovery** references.

5.8 CA or RA Termination

In case SWIFT decides to terminate its Qualified Certificate offering, the following procedures will be executed:

- When possible, transfer the Qualified Certificate service activities to a Certification Services Provider that can offer the same service levels as SWIFT.
- Inform Subscribers, Relying Parties, and the Belgian national supervisory body.
- Revoke all SWIFT Qualified Certificates 2 months after having notified the Subscribers.
- Maintain an archive of all events, Certificates, Certificate Status information, for as long as required.
- Decommission specific facilities and configuration for the SWIFTNet PKI CA to issue SWIFT Qualified Certificates.

More information can be found in the **Termination** references.

6 TECHNICAL SECURITY CONTROLS

6.1 Key Pair Generation and Installation

6.1.1 Key Pair Generation

CA key pair generation is described in [section 4.3](#) and is strictly organised and audited through PKI ceremonies. For information on Activation Data, please refer to [section 6.4](#).

Subscriber key pairs are generated inside an HSM, controlled by the KMA application.

6.1.2 Private Key Delivery to Subscriber

Not applicable: the private key is generated inside the HSM and is not exportable in clear text form.

6.1.3 Public Key Delivery to Certificate Issuer

The Subscriber public key to be certified is sent in a KMA application request to the SWIFTNet PKI CA, inside a secure SWIFTNet session set up between Subscriber and SWIFT.

6.1.4 CA Public Key Delivery to Relying Parties

The SWIFTNet PKI CA public key is obtained automatically by the KMA application from the SWIFTNet PKI CA, inside a secure SWIFTNet session set up between Subscriber and SWIFT. Additionally, the SWIFTNet PKI CA public key certificate is available online on <http://www.swift.com/pkirepository>.

6.1.5 Key Sizes

The key size of the SWIFTNet PKI CA key pair, and all Entity Certificates, is 2048-bit RSA.

More information can be found in the **Policies** references.

6.1.6 Public Key Parameter Generation and Quality Checking

All public key parameters are set by the SWIFTNet PKI RA. SWIFTNet PKI RA deploys procedures that implement quality control.

6.1.7 Key Usage Purposes (as per X.509 v3 Key Usage Field)

Refer to [section 7.1](#).

6.2 Private Key Protection and Cryptographic Module Engineering Controls

6.2.1 Cryptographic Module Standards and Controls

The CA private key is generated and stored on a FIPS 140-1 or FIPS 140-2 level 3 HSM.

Subscriber private keys are generated and stored on an HSM that complies with minimally FIPS 140-1 or 140-2 level 2, provided by SWIFT (see [section 1.3.5](#)).

6.2.2 Private Key (n out of m) Multi-person Control

CA private key procedures are put in place to enforce that at least three representatives from different organisational units within SWIFT are required to perform security-critical functions.

More information can be found in the **Generic** references.

Subscriber HSMs offer functionality that can be used by the Subscriber to implement Private Key Multi-person Control.

6.2.3 Private Key Escrow

No private key escrow functionality is implemented.

6.2.4 Private Key Backup

There are no functions that allow the private key to be exported from the HSM, either in its entirety or in parts, in clear text form.

For the CA infrastructure, there is a special function that allows the HSM, including all keys and other data that is stored therein, to be securely "cloned". This is one of the security-critical functions noted in [section 6.2.2](#) (and controlled as such).

More information can be found in the **Generic and in the Backup & Recovery** references.

For Subscriber HSMs, functionality shall not be available to allow private key backup without assurance on access control, confidentiality, and traceability.

6.2.5 Private Key Archival

There are no functions that allow the private key to be exported from the HSM, either in its entirety or in parts, in clear text form.

6.2.6 Private Key Transfer into or from a Cryptographic Module

There are no functions that allow the private key to be exported from the HSM, either in its entirety or in parts, in clear text form.

For the CA private key, there is a special function that allows the HSM, including all keys and other data that is stored therein, to be securely "cloned". This is one of the security-critical functions noted in [section 6.2.2](#) (and controlled as such).

More information can be found in the **Generic** references.

For Subscriber HSMs, functionality shall not be available to allow private key transfer into or from a cryptographic module without assurance on access control, confidentiality, and traceability.

6.2.7 Private Key Storage on Cryptographic Module

The SWIFTNet PKI CA private signing key is stored in local HSMs that meet the FIPS140-1 or FIPS 140-2 level 3 standard.

More information can be found in the **Generic** references.

Subscriber private keys are generated and stored on an HSM that complies with minimally FIPS 140-1 or 140-2 level 2, provided by SWIFT (see [section 1.3.5](#)).

6.2.8 Method of Activating Private Key

Not specified

6.2.9 Method of Deactivating Private Key

Not specified

6.2.10 Method of Destroying Private Key

There is a special function that allows the secure destruction of the information inside the HSM, including all keys and other data that is stored therein.

For the CA private key, this is one of the security-critical functions noted above (and controlled as such).

More information can be found in the **Generic** references.

6.2.11 Cryptographic Module Rating

The SWIFTNet PKI CA uses an HSM that is compliant with FIPS 140-1 or FIPS 140-2 Level 3.

Subscribers use HSMs that comply with minimally FIPS 140-1 or 140-2 level 2.

6.3 Other Aspects of Key Pair Management

6.3.1 Public Key Archival

Not specified.

6.3.2 Certificate Operational Periods and Key Pair Usage Periods

Refer to [section 7.1](#).

6.4 Activation Data

6.4.1 Activation Data Generation and Installation

Activation data for the CA private key is handled as described in [section 6.2.2](#).

6.4.2 Activation Data Protection

Activation data for SWIFT Qualified Certificates are handled according to SWIFTNet security practices.

6.4.3 Other Aspects of Activation Data

None.

6.5 Computer Security Controls

6.5.1 Specific Computer Security Technical Requirements

SWIFT's implemented an **Information Security Policy Framework** which sets out the core security principles and control objectives for the whole organisation. It is structured according to the ISO27002 standard, hence includes also several controls related to computer security.

- At the top level, there is a **Corporate Security Policy**. It highlights the importance of security for SWIFT, and defines the high-level objectives and responsibilities for security.
- At the next level, there are a series of **detailed security policies**, typically aligned to the structure and chapters of the ISO27002 standard. The detailed security policies can be supported by various standards, procedures, baselines, directives, requirements, guidelines, etc. to guide and harmonise implementation.

The security policies are mandatory and applicable to everyone at SWIFT.

Key security policy-related security controls are identified, along with their owners, and appropriate security compliance monitoring is established to produce the compliance reports.

More information can be found in the **Policies** references.

6.5.2 Computer Security Rating

SWIFT does not apply any computer security rating for computer systems.

6.6 LifeCycle Technical Controls

6.6.1 System Development Controls

SWIFT implemented system development controls in accordance with the internationally recognized standards (e.g. ISO/IEC 2700x series, NIST standards ...) and documented them in detailed security policies and related supporting documents.

6.6.2 Security Management Controls

SWIFT implemented security management controls in accordance with the internationally recognized standards (e.g. ISO/IEC 2700x series, NIST standards ...) and documented them in detailed security policies and related supporting documents.

6.6.3 Lifecycle Security Controls

SWIFT implemented lifecycle security controls in accordance with the internationally recognized standards (e.g. ISO/IEC 2700x series, NIST standards ...) and documented them in detailed security policies and related supporting documents.

6.7 Network Security Controls

SWIFT implemented network security controls in accordance with the internationally recognized standards (e.g. ISO/IEC 2700x series, NIST standards ...) and documented them throughout its detailed security policies and related supporting documents.

6.8 Time-stamping

Refer to [section 5.5.5](#) for more information.

7 CERTIFICATE, CRL, AND OCSP PROFILES

7.1 Certificate Profile

Remark: The following fields of the Certificate format X.509 version 3 are not used in the SWIFTNet PKI:

- Issuer unique identifier
- Subject unique identifier

7.1.1 Version Number(s)

Certificates issued by the SWIFTNet PKI CA are issued with the version number set to **v3**.

Field	Value	Detailed value (or example)	Description/Comments
Version	v3	2	Corresponds to x509 v3
Serial Number		45 a6 b6 32	Serial number of Certificate in CA A unique Certificate serial number within the SWIFTNet PKI CA security domains, generated by the SWIFTNet PKI CA when a new Certificate is created
Valid from		Mar 25 15:57:58 2012 GMT	Certificate validity period: maximum 2 years for SWIFT Qualified Certificates. The "valid to" date is set by SWIFTNet PKI RA as 2 years after the date of defining the Certificate parameters (see section 4.1.2). The "valid from" date is set by the SWIFTNet PKI CA as the date of Certificate generation (see section 4.3). The Certificate generation takes place maximum 180 days after the certificate generation activation secrets are issued.
Valid to		Mar 25 16:27:58 2014 GMT	
Public key	RSA public key, 2048 bit Modulus = 2048 bit, Public Exponent = 65537		

7.1.2 Certificate Extensions

Remark: The following extensions are not used in the SWIFTNet PKI:

- Policy Constraints

- Policy Qualifiers. SWIFT Qualified Certificates don't contain a URI (Uniform Resource Identifier) to the Certification Practice Statement document, or a UserNotice.

Extension name	Extension OID	Value	Detailed value (or example)	Critical	Description/ Comments
KeyUsage	2.5.29.15	Digital signature, Non-Repudiation		True	
IssuerAltName	2.5.29.18	CN=SWIFTNet PKI CA, O=S.W.I.F.T. SCRL, C=BE		False	Indicates the name of the organisation as stated in the official records, and the country in which it is established.
SubjectDirectoryAttributes	2.5.29.9			False	Pointer to the attribute Certificate describing the password policies defined on the CA.
CertificatePolicies	2.5.29.32	1.3.21.6.3.10.200.3		False	SWIFT Qualified Certificate.
qcStatements	1.3.6.1.5.5.7.1.3	id-etsi-qcs 1	0.4.0.1862.1.1	False	ETSI TS 101862
CRLDistributionPoints	2.5.29.31	DirName:/O=SWIFT/CN=CRLnnn	cn=CRL167,o=swift	False	Distinguished Name (DN) where the revocation information about the Certificate will be published in the SWIFTNet Directory. The combined CRL is additionally available on https://www2.swift.com/pkirepository/SWIFTCRA.crl .
PrivateKeyUsagePeriod	2.5.29.16	NotBefore, NotAfter have same values as "Valid from" and "Valid to"		False	Private Key is valid for 100% of the corresponding Certificate lifetime.
AuthorityKeyIdentifier	2.5.29.35	160-bit key identifier		False	Helps identify the correct CA public key. It is typically a SHA1 digest of the CA public key.
SubjectKeyIdentifier	2.5.29.14	160-bit key identifier		False	Helps identify the correct subject public key. It is typically a SHA1 digest of the public key.
BasicConstraints	2.5.29.19	CA = False		False	Indicates whether Subject is a CA or not.

Extension name	Extension OID	Value	Detailed value (or example)	Critical	Description/ Comments
EntrustVersInfo	1.2.840.11353 3.7.65.0			False	Indicates Entrust version.

7.1.3 Algorithm Object Identifiers

Field	Value	Detailed value (or example)	Description/Comments
Signature algorithm	sha256WithRSAEncryption	1.2.840.113549.1.1.11	Identifier for the algorithm used by the SWIFTNet PKI CA to sign the Certificate

7.1.4 Name Forms

In a certificate, the SWIFTNet PKI CA DN and Subject DN fields contain the full X.500 distinguished name of the certificate SWIFTNet PKI CA or certificate subject (Subscribing Institution).

Field	Value	Detailed value (or example)	Description/Comments
Issuer	o=swift		The full distinguished name of the SWIFTNet PKI CA issuing the Certificate
Subject	cn=%<number>, cn=Qualified Enterprise, o=<BIC>, o=swift or cn=Qualified Enterprise, o=<BIC>, o=swift	cn=%001, cn=Qualified Enterprise, o=bankbebb, o=swift cn=Qualified Enterprise, o=bankbebb, o=swift	<number> is a numeric string with a maximum length of 8 digits (each with value 0 to 9) The cn=%<number> part is optional. <BIC> is an identifier for the Certificate Subscriber identity, the ISO-9362 Business Identifier Code

7.1.5 Name Constraints

Name constraints are not used in the SWIFTNet PKI. Refer to the *SWIFTNet Naming & Addressing Guide* and the *SWIFTNet PKI Certificate Administration Guide* for further details.

7.1.6 Certificate Policy Object Identifier

Extension name	Extension OID	Value	Detailed value (or Example)	Critical	Description / Comments
Certificate Policies	2.5.29.32	1.3.21.6.3.10.200.3		False	SWIFT Qualified Certificate.

Remark: The following fields of the certificate format X.509 version 3 are not used in the SWIFTNet PKI:

- Issuer unique identifier

- Subject unique identifier

7.1.7 Usage of Policy Constraints Extension

Policy constraints are not used in the SWIFTNet PKI CA.

7.1.8 Policy Qualifiers Syntax and Semantics

Policy qualifiers are not used in the SWIFTNet PKI CA. SWIFT Qualified Certificates don't contain a URI (Uniform Resource Identifier) to the Certification Practice Statement document, or a UserNotice.

7.1.9 Processing Semantics for the Critical Certificate Policies Extension

Not applicable.

7.2 CRL Profile

7.2.1 Partitioned CRL

The following fields of the X.509 version 2 CRL format are used in the SWIFTNet PKI.

Field	Value	Detailed value (or Example)	Description/Comments
Version	v2	1	Corresponds to x509 v2 CRL profile.
Signature algorithm	sha1WithRSAEncryption	1.2.840.113549.1.1.1	Identifier for the algorithm used by the SWIFTNet PKI CA to sign the CRL.
Issuer	o=swift		The full distinguished name of the SWIFTNet PKI CA issuing the CRL.
Last (This) Update		May 11 15:57:58 2012 GMT	Issue date of this CRL.
Next Update		May 12 16:57:58 2012 GMT	Next CRL update will be issued no later than the indicated date.
Revoked Certificates			If present, it is a non-empty list of revoked Certificates. Each element in the list is also known as a CRL-entry.
Serial Number		4B 04 53 AF	Certificate serial number.
Revocation Date		Mar 22 17:59:09 2012 GMT	Revocation date and time.
Extensions	See table below		

CRLs issued by the SWIFTNet PKI CA are X.509 version 2 CRLs.

A number of X.509 version 2 CRL and CRL entry extensions are used in the SWIFTNet PKI. These are outlined below. The X.509 version 2 CRL and CRL entry extensions that are never present in CRLs issued by the SWIFTNet PKI CA, are also outlined below.

The following CRL and CRL entry extensions are used in this PKI.

CRL Extension name	Value	Detailed value (or Example)	Critical	Description/Comments
IssuingDistribution Point		CN=CRL624, O=SWIFT	True	Identifies the CRL distribution point.
CRL Number			False	Monotonically increasing sequence number for a given CRL scope and CRL issuer.

CRL Extension name	Value	Detailed value (or Example)	Critical	Description/ Comments
AuthorityKeyIdentifier	160-bit key identifier		False	Identifies the public key corresponding to the private key used to sign the CRL. It is typically a SHA1 digest of the public key.
Issuer alternative name				Not used.
Delta CRL indicator				Not used.
Delta CRL Distribution Point (Freshest CRL)				Not used.

CRL Entry Extension name	Value	Detailed value (or Example)	Critical	Description/ Comments
CRL Reason Code		For example Key Compromise	False	Reason for the Certificate revocation.
Invalidity Date		Mar 22 17:59:09 2012 GMT	False	The date on which it is known or suspected that the private key was compromised or that the Certificate otherwise became invalid. For SWIFTNet PKI, this is identical to the Revocation date and time.
Hold instruction code				Not used.
Certificate issuer				Not used.

7.2.2 Combined CRL

The following fields of the X.509 version 2 CRL format are used in the SWIFTNet PKI.

Field	Value	Detailed value (or Example)	Description/Comments
Version	v2	1	Corresponds to x509 v2 CRL profile.
Signature algorithm	sha1WithRSAEncryption	1.2.840.113549.1.1.1	Identifier for the algorithm used by the SWIFTNet PKI CA to sign the CRL.
Issuer	o=swift		The full distinguished name of the SWIFTNet PKI CA issuing the CRL.
Last (This) Update		May 11 15:57:58 2012 GMT	Issue date of this CRL.
Next Update		May 14 15:57:58 2012 GMT	Next CRL update will be issued no later than the indicated date.

Field	Value	Detailed value (or Example)	Description/Comments
Revoked Certificates			If present, it is a non-empty list of revoked Certificates. Each element in the list is also known as a CRL-entry.
Serial Number		4B 04 53 AF	Certificate serial number.
Revocation Date		Mar 22 17:59:09 2012 GMT	Revocation date and time.
Extensions	See table below		

CRLs issued by the SWIFTNet PKI CA are X.509 version 2 CRLs.

A number of X.509 version 2 CRL and CRL entry extensions are used in the SWIFTNet PKI. These are outlined below. The X.509 version 2 CRL and CRL entry extensions that are never present in CRLs issued by the SWIFTNet PKI CA, are also outlined below.

The following CRL and CRL entry extensions are used in this PKI.

CRL Extension name	Value	Detailed value (or Example)	Critical	Description/Comments
CRL Number			False	Monotonically increasing sequence number for a given CRL scope and CRL issuer.
AuthorityKeyIdentifier	160-bit key identifier		False	Identifies the public key corresponding to the private key used to sign the CRL. It is typically a SHA1 digest of the public key.
IssuingDistribution Point				Not used.
Issuer alternative name				Not used.
Delta CRL indicator				Not used.
Delta CRL Distribution Point (Freshest CRL)				Not used.

CRL Entry Extension name	Value	Detailed value (or Example)	Critical	Description/Comments
CRL Reason Code		For example Key Compromise	False	Reason for the Certificate revocation.
Invalidity Date		Mar 22 17:59:09 2012 GMT	False	The date on which it is known or suspected that the private key was compromised or that the Certificate otherwise became invalid. For SWIFTNet PKI, this is identical to the Revocation date and time.
Hold instruction code				Not used.
Certificate issuer				Not used.

7.3 OCSP Profile

7.3.1 Version Number(s)

Not applicable.

7.3.2 OCSP Extensions

Not applicable.

8 COMPLIANCE AUDIT AND OTHER ASSESSMENTS

Complementing the mandatory supervision audits, as part of the Belgian national supervisory body's processes, SWIFT has appointed its Internal Audit team as the independent auditor who will review compliance with the requirements as laid out in this *Certification Practice Statement*.

8.1 Frequency or Circumstances of Assessment

Under its current mandate, Internal Audit operates on a three-year cycle. This means that an audit entity will be audited at least once every three years, or more frequently depending on the business criticality as defined by Internal Audit and SWIFT Management. The business criticality is reconfirmed at the start of every assessment.

SWIFT Management can always request a specific review in addition to the normal rotational coverage described above.

The Certificate lifecycle processes, as well as the physical and logical security measures protecting the Certification Authority (CA) and related systems, are generic for all Certificates produced by SWIFT, which are part of SWIFT's annual ISAE 3402 report which includes the opinion of the external security auditor on the adequacy and effectiveness of the controls.

8.2 Identity and Qualifications of Assessor

Notwithstanding the appointment of an independent external assessor in the context of the mandatory supervision audits (as part of the Belgian national supervisory body's processes), SWIFT's Internal Audit team has been appointed as independent auditor. The team has multiple technology experts that have adequate skills to perform the assessment. As a baseline, all technology experts have the professional accreditation awarded by ISACA – Certified IT Systems Auditor (CISA) and many have additional professional accreditations such as ISC2's Certified Information Systems Security Professional (CISSP).

The Chief Auditor can elect to assign this work partly or entirely to a third party. In this case, the third party will have similar or better qualifications and the report will still be issued under the responsibility of the Chief Auditor. All other stipulations in this section will continue to apply.

8.3 Assessor's Relationship to Assessed Entity

The Internal Audit team is independent from SWIFT's Management and the Chief Auditor has a direct reporting line to the Chairman of SWIFT's Audit & Finance Committee (as well as to SWIFT's Chief Executive Officer). The Internal Audit Charter provides for numerous safeguards that ensure continued independence for the Internal Audit team.

More information can be found in the **Generic** references.

8.4 Topics Covered by Assessment

The topics covered in each assessment can change from review to review, but as a minimum will include a complete effectiveness review of all controls included in this *Certification Practice Statement*. More information can be found in the **Policies & the Generic** references.

8.5 Actions Taken as a Result of Deficiency

Issues and findings resulting from the assessment are reported to Management. The final audit report includes the issues and findings as well as the agreed corrective action plan and target date for resolution. The issues and findings are tracked until resolution by Internal Audit.

8.6 Communication of Results

The report of the assessment is for SWIFT Management only and is not disclosed to third parties unless in support of the mandatory supervision audits as part of the national supervisory body's processes, or other SWIFT assurance efforts for which the work performed is relevant (any other exceptions to this distribution policy will have to be approved by the Chief Auditor). The Certificate lifecycle processes, as well as the physical and logical security measures protecting the Certification Authority (CA) and related systems, are generic for all Certificates produced by SWIFT, these are part of SWIFT's annual ISAE 3402 report which includes the opinion of the external security auditor on the adequacy and effectiveness of the controls. The ISAE 3402 report is available to all registered users of SWIFT.

9 OTHER BUSINESS AND LEGAL MATTERS

The *SWIFT Qualified Certificates Terms and Conditions* constitute the main set of SWIFT standard terms and conditions for the provision and use of SWIFT's Qualified Certificates offering. For example, they provide general information about the conditions of use of SWIFT Qualified Certificates, the rights and obligations of SWIFT, the Subscribers and Relying Parties, including the duration and termination conditions, their liability, the claim process, or the applicable law and jurisdiction.

If and to the extent that SWIFT's Qualified Certificates offering is used in conjunction with other SWIFT services and products, the *SWIFT Qualified Certificates Terms and Conditions* must be read together with the terms and conditions governing the provision and use of these other SWIFT services and products.

The *SWIFT Qualified Certificates Terms and Conditions* apply each time the form or contract executed by the Subscriber or Relying Party (i) refers to the provision and use of SWIFT Qualified Certificates and (ii) expressly confirms that these SWIFT Qualified Certificates Terms and Conditions apply. If the Relying Party has not executed any such form or contract, it shall be deemed to have tacitly accepted the *SWIFT Qualified Certificates Terms and Conditions* by relying or other acting upon a SWIFT Qualified Certificate.

The form or contract (if any) executed by Subscriber or Relying Party and the *SWIFT Qualified Certificates Terms and Conditions*, together with this *Certificate Policy* and the *SWIFT Qualified Certificates Certification Practice Statement* ("CPS") which are incorporated in the Qualified Certificate Terms and Conditions by reference, constitute the agreement between SWIFT and the Subscriber or Relying Party for the provision and use of SWIFT Qualified Certificates (the "Qualified Certificates Agreement").

The sections below provide useful information about certain terms and conditions governing the provision or use of SWIFT's Qualified Certificates offering, as may be set out in more detail elsewhere in the Qualified Certificates Agreement. Nothing in these sections shall be interpreted or construed as granting any rights or imposing any obligations in addition to those set out in the *SWIFT Qualified Certificates Terms and Conditions*.

9.1 Fees

The Subscriber and Relying Party must pay to SWIFT all charges and fees (if any) applicable to it for the provision or use of SWIFT's Qualified Certificates offering.

These charges and fees, and related invoicing and payment terms and conditions, are as notified by SWIFT from time to time.

For more information, see clause 7 of the *SWIFT Qualified Certificates Terms and Conditions*.

9.1.1 Certificate Issuance or Renewal Fees

Refer to the intro text of [section 9.1](#).

9.1.2 Certificate Access Fees

Refer to the intro text of [section 9.1](#).

9.1.3 Other Assets

Refer to the intro text of [section 9.1](#).

9.1.4 Fees for Other Services

Refer to the intro text of [section 9.1](#).

9.1.5 Refund Policy

Refer to the intro text of [section 9.1](#).

9.2 Financial Responsibility

SWIFT shall monitor on a regular basis that it maintains adequate resources and insurance coverage to meet its obligations regarding the provision and use of its Qualified Certificate offering under this *Certification Practice Statement* and elsewhere in the Qualified Certificates Agreement.

9.2.1 Insurance Coverage

Refer to the intro text of [section 9.2](#).

9.2.2 Other Assets

Refer to the intro text of [section 9.2](#).

9.2.3 Insurance or Warranty Coverage for End-entities

Refer to the intro text of [section 9.2](#).

9.3 Confidentiality of Business Information

The obligations of confidence of SWIFT, Subscribers and Relying Parties in respect of confidential information obtained in connection with the provision or use of SWIFT's Qualified Certificates offering are as set out in this *Certification Practice Statement* and elsewhere in the Qualified Certificates Agreement.

For more information, see clause 11 of the *SWIFT Qualified Certificates Terms and Conditions*.

9.3.1 Scope of Confidential Information

Examples of confidential business information include:

- the Subscriber's confidential information supplied to SWIFT at the time of its subscription (other than any information that is published in a SWIFT Qualified Certificate)
- the Subscriber's or Relying Parties' confidential information supplied to SWIFT in support requests (other than any information that is published in a SWIFT Qualified Certificate)
- the private key(s) of SWIFT Qualified Certificates

9.3.2 Information not within the Scope of Confidential Information

For the avoidance of any doubt, the following information is not considered as confidential:

- the information published in a SWIFT Qualified Certificate
- the revocation records of a SWIFT Qualified Certificate
- this *Certification Practice Statement*

9.3.3 Responsibility to Protect Confidential Information

Refer to the intro text of [section 9.3](#).

9.4 Privacy of Business Information

SWIFT may process personal data (as defined in the [SWIFT Personal Data Protection Policy](#)) collected:

- a) by SWIFT for purposes relating to the provision of SWIFT services and products, including SWIFT's Qualified Certificates offering, or relating to SWIFT governance (for example, contact details of or secrets used to authenticate employees, security officers, or other representatives of a Subscriber or Relying Party)
- b) by a Subscriber or Relying Party and supplied to SWIFT as part of the Subscriber's or Relying Party's use of SWIFT's Qualified Certificates offering (for example, personal data contained in Certificates that the Subscriber requests SWIFT to issue).

The rights and obligations of all parties concerned in each case are set out in the [SWIFT Personal Data Protection Policy](#) in effect from time to time as published on www.swift.com.

For more information, see clause 10 of the *SWIFT Qualified Certificates Terms and Conditions*.

9.4.1 Privacy Plan

Refer to the intro text of [section 9.4](#).

9.4.2 Information Treated as Private

Refer to the intro text of [section 9.4](#).

9.4.3 Information not Deemed Private

Refer to the intro text of [section 9.4](#).

9.4.4 Responsibility to Protect Private Information

Refer to the intro text of [section 9.4](#).

9.4.5 Notice and Consent to Use Private Information

Refer to the intro text of [section 9.4](#).

9.4.6 Disclosure Pursuant to Judicial or Administrative Process

Refer to the intro text of [section 9.4](#).

9.4.7 Other Information Disclosure Circumstances

Refer to the intro text of [section 9.4](#).

9.5 Intellectual Property Rights

Any and all rights (including title, ownership rights, database rights, and any other intellectual property rights) in SWIFT's Qualified Certificates offering, and documentation or other materials developed or supplied in connection with that offering, including any associated processes or any derivative works, are and will remain the sole and exclusive property of SWIFT or its licensors.

No rights are granted by SWIFT in respect of SWIFT's Qualified Certificates offering other than those expressly granted under this *Certification Practice Statement* or elsewhere in the Qualified Certificates Agreement.

For more information, see clause 6 of the *SWIFT Qualified Certificates Terms and Conditions*.

9.6 Representations and Warranties

SWIFT is responsible for the provision of its Qualified Certificates offering, as set out in this *Certification Practice Statement* and elsewhere in the Qualified Certificates Agreement.

The Subscribers are responsible for complying with all obligations and other responsibilities applicable to their use of SWIFT's Qualified Certificates offering as set out in this *Certification Practice Statement* and elsewhere in the Qualified Certificates Agreement.

Examples of Subscribers' obligations and responsibilities include (without limitation):

- the protecting of the private key(s) related to their SWIFT Qualified Certificate
- the protection of the HSM in which the private key of their SWIFT Qualified Certificates is stored
- the protection of the Activation Data of their SWIFT Qualified Certificates
- the protection of the certificate generation activation secrets of their SWIFT Qualified Certificates
- the immediate revocation of their SWIFT Qualified Certificate if the associated private key is lost, the confidentiality of the private key is compromised, the information in the Certificate is no longer correct, or if the confidentiality of the certificate generation activation secrets has been compromised or the certificate generation activation secrets are malfunctioning (for more information, see also [section 4.9.1](#))

The Relying Parties are responsible for complying with their obligations and other responsibilities applicable to their use of SWIFT's Qualified Certificates offering as set out in this *Certification Practice Statement* and elsewhere in the Qualified Certificates Agreement.

Examples of Relying Parties' obligations and responsibilities include (without limitation):

- the successful performance of public key operations as a pre-condition for relying on a SWIFT Qualified Certificate
- the validation of a SWIFT Qualified Certificate by using the SWIFTNet PKI CA's Certificate Revocation Lists (CRLs)
- the immediate termination of any reliance on a SWIFT Qualified Certificate if it has been revoked or when it has expired

9.6.1 CA Representations and Warranties

Refer to the intro text of [section 9.6](#).

9.6.2 RA Representations and Warranties

Refer to the intro text of [section 9.6](#).

9.6.3 Subscriber Representations and Warranties

Refer to the intro text of [section 9.6](#).

9.6.4 Relying Party Representations and Warranties

Refer to the intro text of [section 9.6](#).

9.6.5 Representations and Warranties of Other Participants

Refer to the intro text of [section 9.6](#).

9.7 Disclaimers of Warranties

To the maximum extent permitted by applicable law and except as expressly provided in this *Certification Practice Statement* or elsewhere in the Qualified Certificates Agreement, SWIFT does not give and specifically excludes and disclaims any warranty of any kind, whether express or implied, statutory or otherwise, with respect to the provision or use of SWIFT's Qualified Certificates offering, including (without limitation) any warranty as to the condition, quality, performance, non-infringement, merchantability or fitness for a particular purpose.

For more information, see clause 8 of the *SWIFT Qualified Certificates Terms and Conditions*.

9.8 Limitation of Liability

SWIFT's liability to Subscribers or Relying Parties (whether in contract, tort, or otherwise) for or in connection with the provision for use of SWIFT's Qualified Certificates offering, including any limitations or exclusions of liability, are set out in the *SWIFT Qualified Certificates Terms and Conditions*.

For more information, see clause 8 of the *SWIFT Qualified Certificates Terms and Conditions*.

9.9 Indemnities

Indemnities (if any) applicable to SWIFT, Subscribers or Relying Parties are set out the *SWIFT Qualified Certificates Terms and Conditions*.

For more information, see clause 8 of the *SWIFT Qualified Certificates Terms and Conditions*.

9.10 Term and Termination

This *Certification Practice Statement* shall be effective from the date of issue and publication, and will remain in force until replaced with a subsequent version, or terminated.

For more information about the term and termination of SWIFT's Qualified Certificate Offering, see clause 9 of the *SWIFT Qualified Certificates Terms and Conditions*.

9.10.1 Term

Refer to the intro text of [section 9.10](#).

9.10.2 Termination

Refer to the intro text of [section 9.10](#).

9.10.3 Effect of Termination and Survival

Refer to the intro text of [section 9.10](#).

9.11 Individual Notices and Communications with Participants

Except when expressly provided otherwise in the Qualified Certificates Agreement, all notices from one party to another, will be in writing (in paper or electronic form) and in English.

All notices duly served will be deemed effective upon their receipt by the recipient.

For more information, see clause 12 of the *SWIFT Qualified Certificates Terms and Conditions*.

9.12 Amendments

This *Certification Practice Statement* shall be reviewed on a regular basis as set out in section 1.5.3. Like the documents part of the Qualified Certificates Agreement, it can be amended at any time by publishing a new version.

Consequently, the Subscribers and Relying Parties must ensure that they always refer to the latest version of this *Certification Practice Statement* and any other documents part of the Qualified Certificates Agreement, and that they are aware of the latest available information relating to the provision and use of SWIFT's Qualified Certificates offering.

Proposed changes to the present *Certification Practice Statement* or other documents part of the Qualified Certificates Agreement will be disseminated to interested parties by publishing the new document on <http://www.swift.com/pkirepository>.

The date of publication and the effective date are indicated on the title page of the relevant document. The effective date will at least be fourteen (14) calendar days after the date of publication.

9.12.1 Procedure for Amendment

Refer to the intro text of [section 9.12](#).

9.12.2 Notification Mechanism and Period

Refer to the intro text of [section 9.12](#).

9.12.3 Circumstances under which OID Must Be Changed

Refer to the intro text of [section 9.12](#).

9.13 Dispute Resolution Procedures

To make a valid claim in connection with the provision or use of SWIFT's Qualified Certificates offering, Subscribers and Relying Parties must submit their claim to SWIFT in accordance with the dispute resolution procedure set out in the *SWIFT Qualified Certificates Terms and Conditions*.

For more information, see clause 9.13 of the *SWIFT Qualified Certificates Terms and Conditions*.

9.14 Governing Law

As per clause 9.14 of the *SWIFT Qualified Certificates Terms and Conditions*, this *Certification Practice Statement* and, more generally, the Qualified Certificates Agreement are governed by and construed in accordance with Belgian law (without giving effect to any conflict of law provision that would cause the application of other laws).

9.15 Compliance with Applicable Law

In using SWIFT's Qualified Certificates offering, Subscribers and Relying Parties must always exercise due diligence and reasonable judgment, and must comply with good industry practice and all relevant laws, regulations, or third-party rights, even if this restricts their usage of SWIFT's Qualified Certificates offering.

In particular, Subscribers and Relying Parties must seek all necessary or advisable consents and authorisations and enter into all necessary contractual arrangements in order to ensure that no laws, regulations, or third-party rights are violated (including laws and regulations regarding

banking, money transmission, securities, money laundering, terrorist financing, economic sanctions, competition, outsourcing and data transmission).

Subscribers and Relying Parties must also comply with all relevant laws and regulations regarding the export, re-export, import, and use of any products, software, technology, or materials (including cryptographic technology and materials) comprised in or relating to the provision and the use of SWIFT's Qualified Certificates offering.

For more information, see clause 5.2 of the *SWIFT Qualified Certificates Terms and Conditions*.

9.16 Miscellaneous Provisions

No stipulation.

9.16.1 Entire Agreement

No stipulation.

9.16.2 Assignment

No stipulation.

9.16.3 Severability

No stipulation.

9.16.4 Enforcement (Attorneys' Fees and Waiver of Rights)

No stipulation.

9.16.5 Force Majeure

No stipulation.

9.17 Other Provisions

No stipulation.

References

Section 3.6 of the RFC 3647 and section 4.3.2 as well as section 7.1.c) of the ETSI 101456 Technical Specification provide for the use of references to divide disclosures between public information and security sensitive confidential information. For reasons of confidentiality, SWIFT has not included specifics on controls in some sections of the CPS, but replaced them with references to internal detailed documents. These documents will only be made available to duly authorised auditors in the context of the conformity assessment process of SWIFT's Certification Authority.

The following sets of reference documents provide additional detailed information:

- *Policies references*
- *Registration references*
- *Certification references*
- *Revocation references*
- *Termination references*
- *Design references*
- *Installation & Configuration (I&C) Guide references*
- *Forms references*
- *Backup & Recovery references*
- *Generic references*

Legal Notices

Copyright

SWIFT © 2013. All rights reserved.

Disclaimer

The information in this publication may change from time to time. You must always refer to the latest available version.

Translations

The English version of SWIFT documentation is the only official and binding version.

Trademarks

SWIFT is the trade name of S.W.I.F.T. SCRL. The following are registered trademarks of SWIFT: the SWIFT logo, SWIFT, SWIFTNet, SWIFTReady, Accord, Sibos, 3SKey, Innotribe, the Standards Forum logo, MyStandards, and SWIFT Institute. Other product, service, or company names in this publication are trade names, trademarks, or registered trademarks of their respective owners.